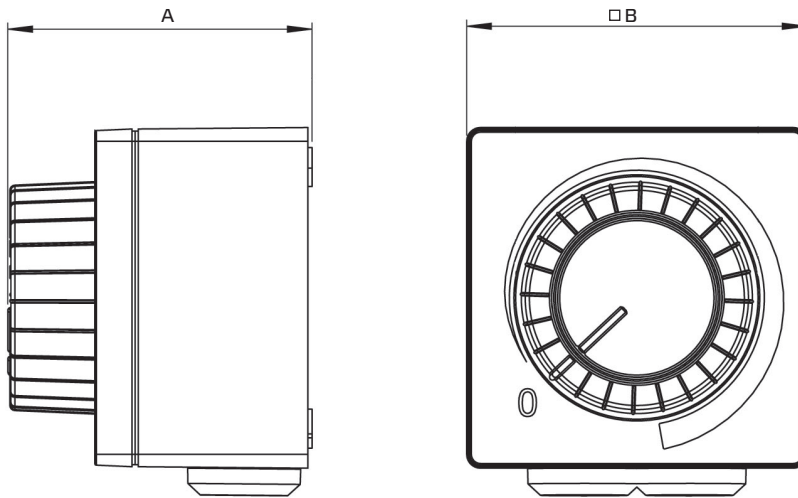


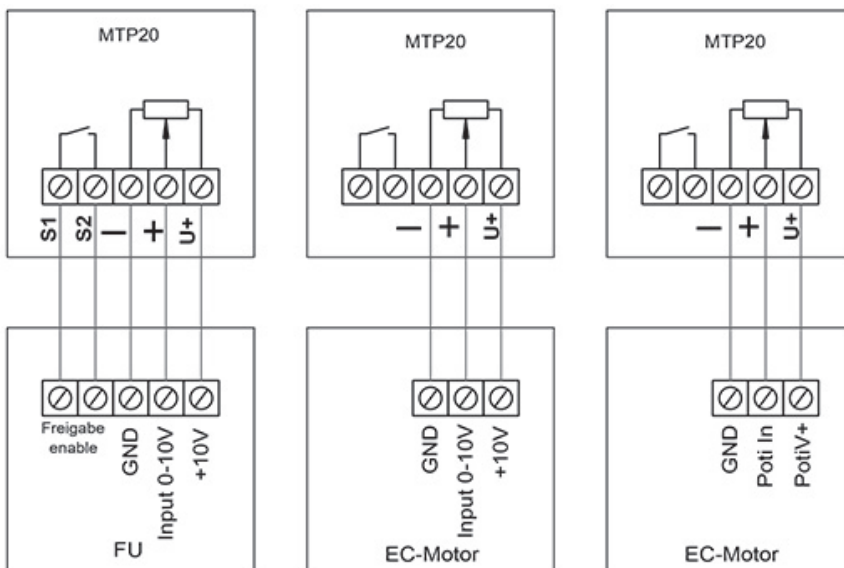
## Potentiometer MTP 20



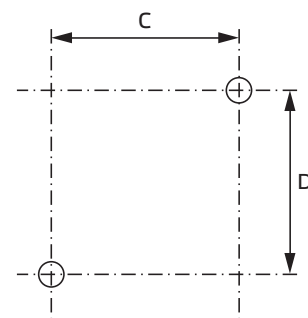
Type	ID	A mm	B mm	C mm	D mm	Weight kg
MTP 20	128146	74	83	66,5	66,5	0,2

- Potentiometer MTP
- Resistance 10 kΩ
- Surface and flush mounting
- Max. ambient temp 50 °C
- Switching contact:  
1A / 250V AC - 2,5A / 12V DC
- VDE
- Protection class IP 44

### Wiring diagram :



### Assembly :



**Legend**  
 Vac = AC voltage  
 Vdc = DC voltage  
 I<sub>max</sub> = Max. operating current