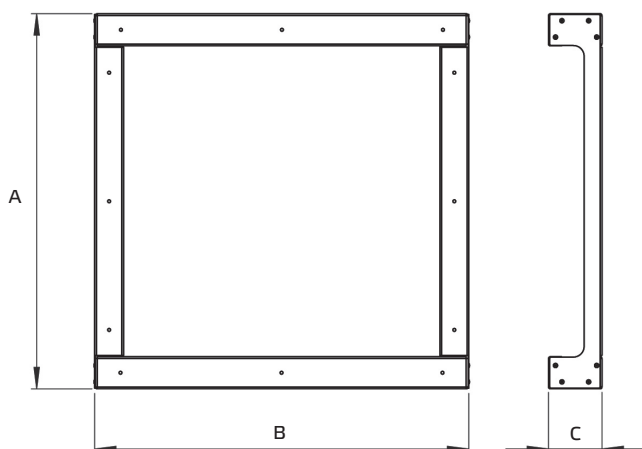
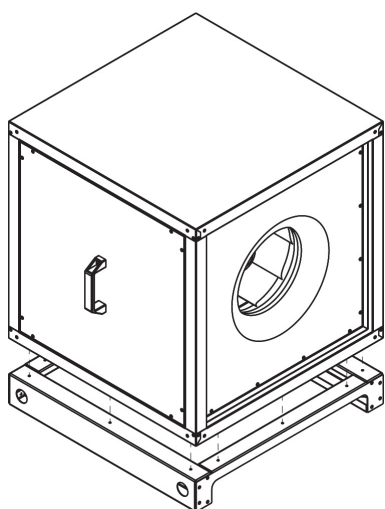


Base frame GR MPC



Type	ID	For models:	A mm	B mm	C mm	Weight kg
GR MPC 01	123430	MPC 225-280, MPC 225-315 T	500	500	100	4,2
GR MPC 02	123432	MPC 315-450, MPC 355-500 T	700	700	100	5,9
GR MPC 03	123434	MPC 500-630, MPC 560-630 T	900	900	100	7,7
GR MPC 04	152696	MPC 710-800, MPC 710-800 T	1200	1200	100	11

- Base frame
- Sheet steel, galvanized



Scope of supply:
1 Base frame
12 Tallow-drop screws, 3,9 x 13 mm