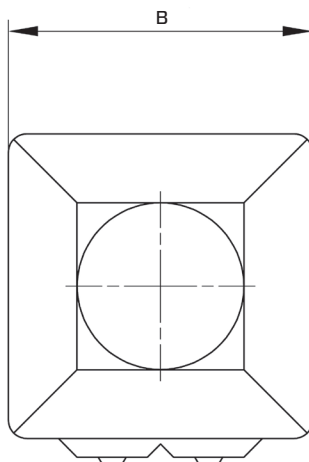
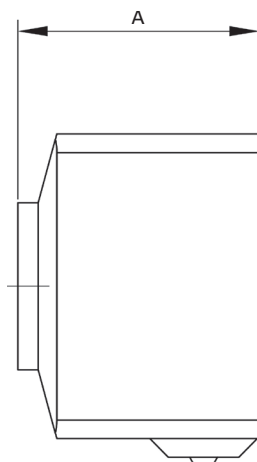


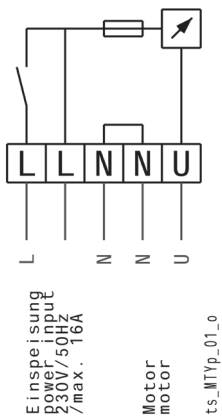
Electronic Controller ETY



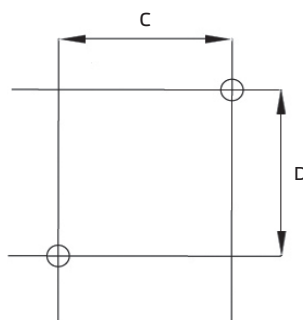
Type	ID	I _{max.} A	Fuse A	A mm	B mm	C mm	D mm	Weight kg
ETY 15	115891	1,5	2,0	65	82	62	62	0,2
ETY 25	115892	2,5	3,2	65	82	62	62	0,2

- Electronic Controller ETY
- 230 V ~, 50 Hz
- Variable
- Surface and flush mounting
- Max. ambient temp 35 °C
- Protection Class IP 44

Wiring diagram :



Mounting :



Legend:
I_{max.} = Max. operating current