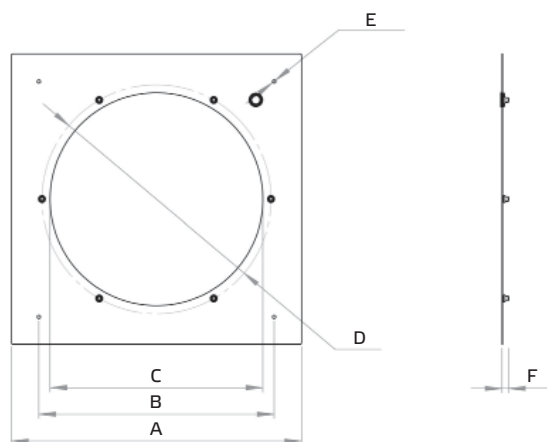


Roof adapter plate DAP



Type	ID	A mm	B mm	C mm	D mm	E mm	F mm	Weight kg
DAP 220	133946	295	220	Ø185	Ø213 6x M6	4x Ø6,5	13	0,5
DAP 280	133954	395	310	Ø255	Ø286 6x M6	4x Ø6,5	13	0,8
DAP 355	133963	555	450	Ø407	Ø438 6x M6	4x Ø6,5	13	1,4
DAP 450	133976	625	450	Ø407	Ø438 6x M6	4x Ø6,5	13	2,0
DAP 560	133979	895	670	Ø575	Ø605 8x M8	4x Ø9	14	4,2
DAP 710	133983	985	750	Ø640	Ø674 8x M8	4x Ø9	14	5,1

- Adapter plate for roof mounting
- Sheet steel, galvanized

Type	ID	für Roof Fans DVA/DVA..P	DVN/DVNI	DHA/DHA..P
DAP 220	133946	190, 220, 250	225, 250	190, 220, 250
DAP 280	133954	280, 315	280, 315	280, 315
DAP 355	133963	355, 400	355, 400	355, 400
DAP 450	133976	450, 500	450, 500	450, 500
DAP 560	133979	560, 630	560, 630	560, 630
DAP 710	133983		710	