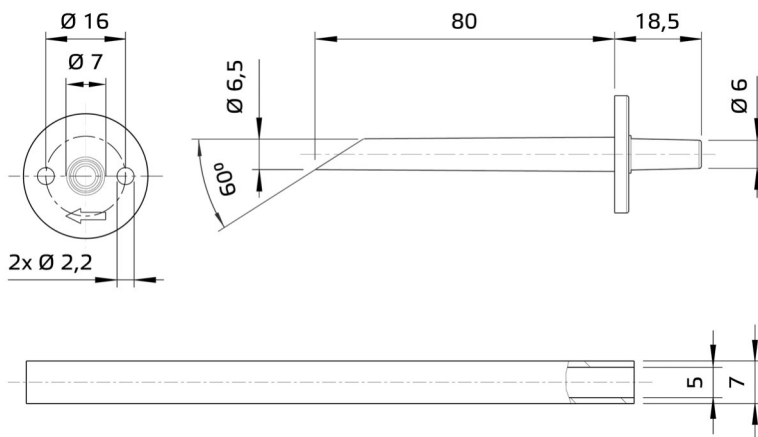


Datasheet

Product type: **Climaset**
 Product ID: 168717
 Product name: CLIMASET 01



Weight

kg

0.1

- 2m hose with 2 connection nipples and screws for differential pressure measurement
- Temperature range hose: -30 °C up to +70 °C
- Hardness hose: 80 Shore A +/-5

Use:

- CON P1000
- SEN P1000
- MAN 01