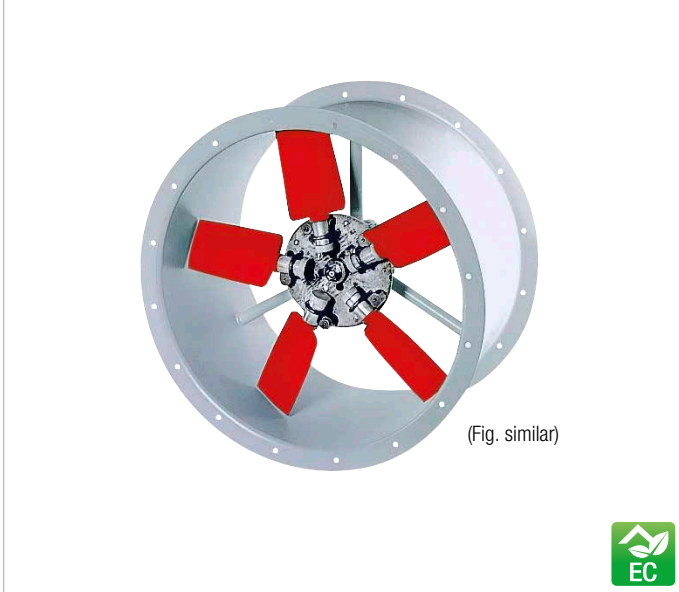
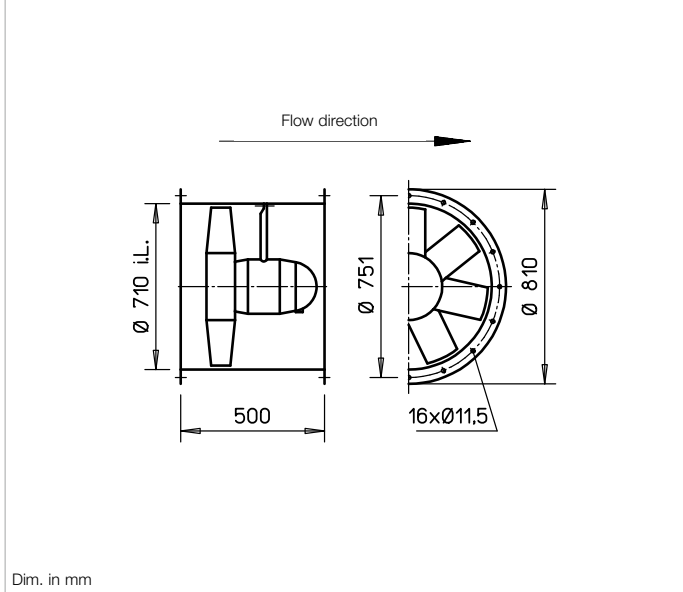


HRF EC 710



Dimensions HRF EC 710



■ **Description**

High performance axial EC fan in pipe sleeve, with double-sided flanges for direct intermediate setting in pipelines. Flange in accordance with DIN 24155, p. 3.

■ **Casing**

Made of galvanised steel sheet, additional terminal box (IP54) on outside of duct.

■ **Impeller**

High performance characteristics with profiled blades made of plastic, aerodynamically optimised for application, dynamically balanced.

■ **Drive**

Energy-saving, speed-controllable external rotor EC motor in protection category IP54 with the highest level of efficiency. Maintenance-free and radio interference-free, excellent electromagnetic compatibility (EMC), ball bearing mounted.

■ **Motor protection**

Integrated electronic temperature monitoring system for EC motor and electronics.

■ **Electrical connection**

Standard terminal box (protection category IP54) on back of motor, additional terminal box on outside of duct.

■ **Power control**

All types are continuously controllable via internal (delivery) or external speed potentiometer. Control is also possible via three level switch or continuously variable via universal control system or electronic differential pressure/temperature controller. See type table.

■ **Installation**

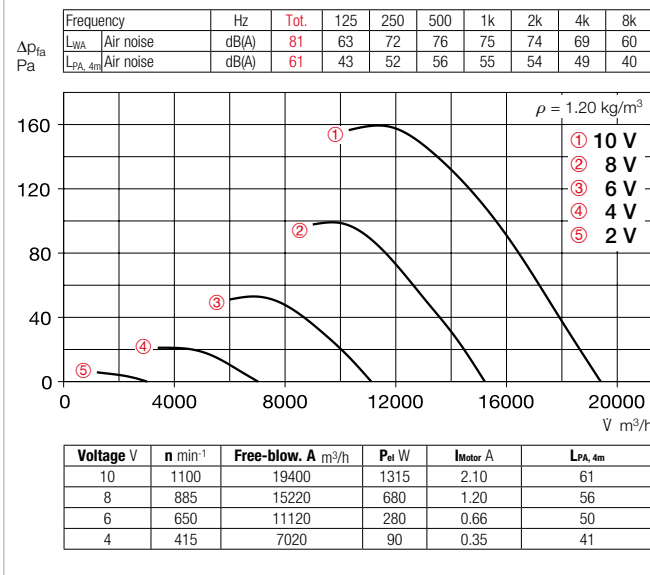
Installation possible in any position.

■ **Noise levels**

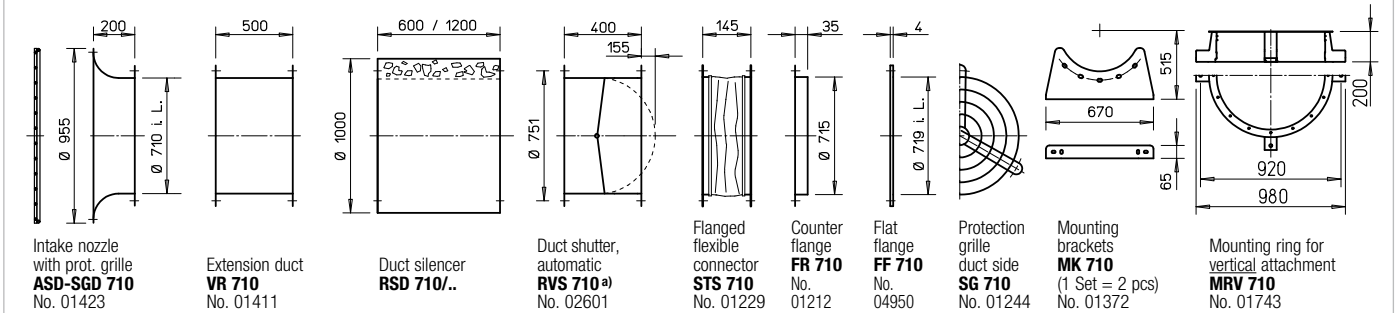
The total level and range for the sound power level and sound pressure level at 4 m free field conditions are specified above the performance diagram for the average operating point on the inlet/outlet side. The total sound pressure level at 4 m (free field conditions) is also specified in the type table, as well as the table below the performance diagram for various voltages. See page 14 f for noise emissions and room acoustics.

Speed	Flow rate-free-blowing	Power consump.	Current consum.	Sound pressure	Wiring diagram	Max. air flow temperature	Wgt net	Design type	
								HRF EC	Ref. no.
min <sup>-1</sup>	V m <sup>3</sup> /h	kW	A	dB(A) at 4m	No.	+°C	ca. kg		
<b>Three-phase current, 3~, 400 Volt, 50/60 Hz, EC motor, protection category IP54</b>									
1100	19400	1.32	2.10	61	1201	40	40	HRFD EC 710	04876

Performance curves HRF EC 710 A



Accessories for HRF EC 710 Description see page 276 ff.



<sup>a)</sup> Shutter, motorised see Accessories product pages.

References	Page	Other accessories	Page
Techn. description	180	Filters and silencers	481 ff.
Selection table	181	Shutters and ventilation grilles	561 ff.
Planning information	14 ff.	Universal control system, electronic controller, Speed potentiometer	613 ff.

**Special design**  
Different voltage, air flow direction, higher air flow temperature, acid protection upon request.

The technical information on p.19 ff. must be observed.

Universal control system		Speed potentiometer		Three level speed switch		Electronic pressure difference controller/actuator		Electronic temperature controller/actuator					
Type	Ref. no.	Type	Ref. no.	Type	Ref. no.	Type	Ref. no.	Type	Ref. no.				
EUR EC <sup>1)</sup>	01347	PU 10 <sup>1)</sup>	01734	PA 10 <sup>1)</sup>	01735	SU-3 10 <sup>1)</sup>	04266	SA-3 10 <sup>1)</sup>	04267	EDR <sup>1)</sup>	01437	ETR <sup>1)</sup>	01438

<sup>1)</sup> Multiple EC fans can normally be connected, see Accessories.