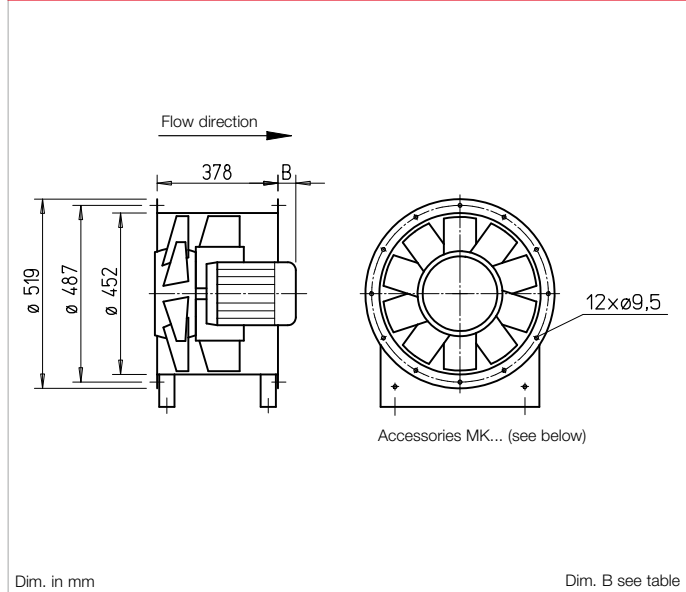


AMD 450



Dimensions AMD 450



■ **Casing**

Tubular casing with welded-in motor support plate and guide wheel made of steel sheet. Flanges pressed on both sides according to DIN 24155, p. 3, for direct intermediate flanges in pipelines. Surface protection from hot-dip galvanising.

■ **Impeller**

Hub and blades made of corrosion-resistant aluminium alloy. Dynamically balanced according to DIN ISO 21940-11, quality grade 6.3 for low-vibration operation. Ten aerodynamically profiled blades achieve the highest levels of efficiency and pressure rates in combination with the guide wheel. The angle of attack of the blades can be adjusted in the factory according to the ordered, optimal operating point.

■ **Drive**

Directly through efficient IE 3 three-phase current standard motor. Pole-changeable fans with IEC standard motor. Protection category IP55, insulation class F.

■ **Power control**

Continuously variable (0-100 %) through the use of a frequency inverter. The planned use of a frequency inverter without a sine filter should be indicated when placing the order. This requires a change of fan version and additional costs, if necessary.

■ **Electrical connection**

Standard terminal box (protection category IP55) made of plastic, mounted on the outside of the fan casing.

■ **Motor protection**

All AMD types come with PTC thermistors as standard motor protection. Effective motor protection is possible by means of motor protection circuit breaker (type MSA, Ref. no. 01289, accessories) or FU (accessories).

■ **Dimensions**

The motor protrudes over the casing for some types. The protrusion dim. B in mm pursuant to the type table must be taken into account.

■ **Noise levels**

The sound power values are specified over the frequency and as total levels for various angles of attack above the performance curves on the product pages.

Reference	Page
Planning information	14 ff.
Special design	
Special design w/ inspect. opening (extra charge) upon request.	

Other accessories	Page
Installation accessories	276 ff.
Silencers	496 ff.
Switching and control technology	599 ff.

Type	Ref. no.	Speed	Rated motor power (output)	Voltage	Current consump. nominal	Dim. B Motor protrusion	Wiring diagram	Max. air flow temp.	Weight net	Frequency inverter with integrated sine filter	Motor protection circuit breaker or pole changing switch	
		min ⁻¹	kW	V	A	mm	No.	+ °C	kg	Type	Ref. no.	
Three-phase current, 400 V, 50 Hz, protection category IP55												
AMD 450/4 0.75 kW	03109	1430	0.75	400	1.8	15	796	60	40	FU-BS 2.5	05459	
AMD 450/4 1.1 kW	03110	1440	1.1	400	2.5	40	796	60	44	FU-BS 5.0	05460	
AMD 450/4 2.2 kW	03106	2890	2.2	400	4.3	65	796	60	47	FU-BS 5.0	05460	
AMD 450/2 3 kW	03107	2880	3	400*	5.7	105	776	60	54	FU-BS 8.0	05461	
AMD 450/2 4 kW	03108	2910	4	400*	7.4	155	776	60	57	FU-BS 8.0	05461	
Pole-changeable, 2 speeds, three-phase current, Dahlander winding $\gamma/\gamma\gamma$, 400 V, 50 Hz, protection category IP55										Surface-mounted pole changing switch		
AMD 450/4/2 0.65/2.5 kW	03121	1380/2855	0.65/2.5	400	1.9/5.0	40	777	60	61	—	PDA 12 ¹⁾	05081
AMD 450/4/2 0.8/3.1 kW	03111	1380/2860	0.8/3.1	400	2.1/6.1	65	777	60	61	—	PDA 12 ¹⁾	05081
AMD 450/4/2 1.1/4.4 kW	03113	1390/2860	1.1/4.4	400	3.0/8.7	155	777	60	67	—	PDA 12 ¹⁾	05081

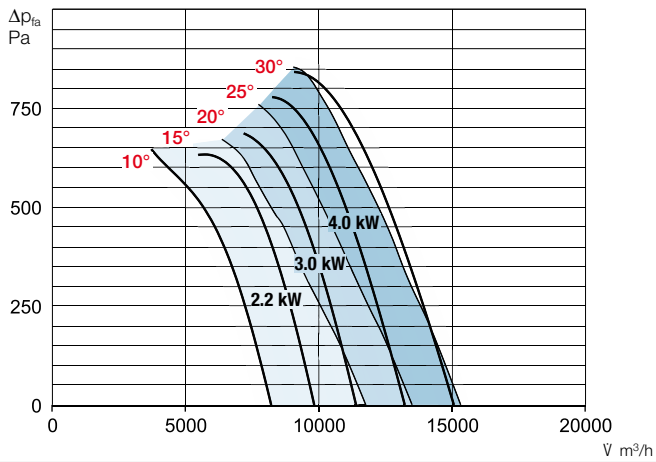
The angle of attack must be specified when ordering. ¹⁾ Flush-m. version see Switch product page.

* γ/Δ Start-up.

Performance curves AMD 450/2

n=2900 1/min

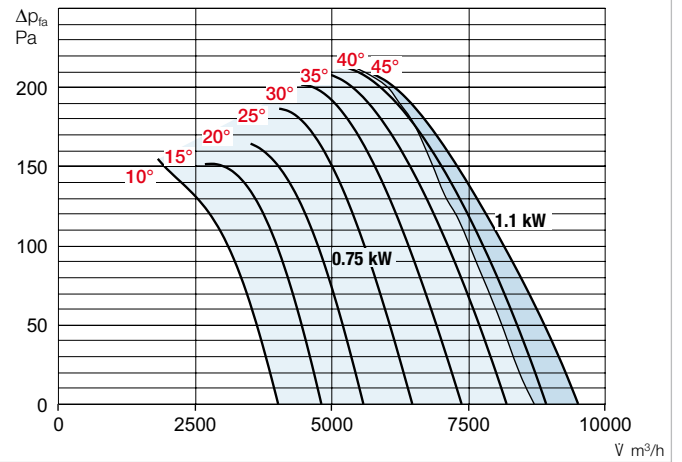
Frequency	Hz	Tot.	125	250	500	1k	2k	4k	8k	
L _{WA}	10°	dB(A)	100	77	90	95	99	99	94	85
L _{WA}	20°	dB(A)	101	79	91	99	100	100	96	87
L _{WA}	30°	dB(A)	104	81	93	101	103	102	98	89



Performance curves AMD 450/4

n=1420 1/min

Frequency	Hz	Tot.	125	250	500	1k	2k	4k	8k	
L _{WA}	10°	dB(A)	83	68	78	81	82	80	73	61
L _{WA}	20°	dB(A)	85	69	79	84	84	82	74	63
L _{WA}	30°	dB(A)	86	71	81	83	85	82	76	65



Accessories AMD 450

Intake nozzle with prot. grille **ASD-SGD 450** No. 01419

Extension duct **VR 450** No. 01407

Duct silencer **RSD 450/..**

Duct shutter **RVS 450^{a)}** No. 02597

Flanged flexible connector **STS 450** No. 01224

Counter flange **FR 450** No. 01207

Flat flange **FF 450** No. 04946

Protection grille duct side **SG 450** No. 01240

Mounting brackets **MK 400-450** (1 Set = 2 pcs) No. 01449

Mounting ring for vertical attachment **MRV 450** No. 01761

^{a)} Shutter, motorised, see Accessories product page.

Vibration dampers			
Compression		Tension	
Type	Ref. no.	Type	Ref. no.
SDD 1	01452	SDZ 1	01454
SDD 1	01452	SDZ 1	01454
SDD 1	01452	SDZ 1	01454
SDD 1	01452	SDZ 1	01454
SDD 1	01452	SDZ 1	01454
SDD 1	01452	SDZ 2	01455
SDD 1	01452	SDZ 2	01455
SDD 1	01452	SDZ 2	01455