

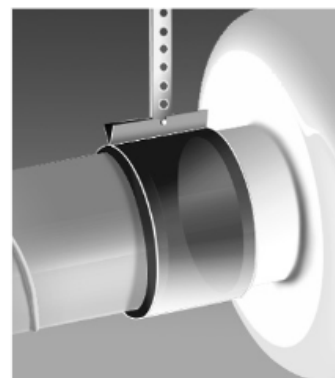
ITEC SOUND DATA								
unit size	Discharge Sound Pressure dBA at Full Speed							dBA overall
	125	250	500	1k	2k	4k	8k	
125	59	67	64	60	55	50	49	70
150	59	67	65	61	55	50	49	70
200	60	68	66	62	56	51	50	71
250	60	68	67	63	57	51	50	72
315	56	69	71	64	57	53	58	74
355	57	69	72	65	58	53	58	74
400	59	74	75	68	61	56	62	78
450	60	75	76	69	62	57	62	79
500	57	75	77	70	60	57	63	80
unit size	Intake Sound Pressure dBA at Full Speed							dBA overall
	125	250	500	1k	2k	4k	8k	
125	58	66	64	60	54	49	48	69
150	58	66	65	61	55	50	48	70
200	59	67	66	62	55	56	49	71
250	59	67	67	63	56	50	49	71
315	51	66	70	64	55	51	54	72
355	53	67	71	65	56	51	55	73
400	55	71	74	67	59	54	58	76
450	60	75	76	69	62	57	62	79
500	57	75	77	70	60	57	63	80
unit size	Breakout Sound Pressure dBA at Full Speed							dBA overall
	125	250	500	1k	2k	4k	8k	
125	46	48	42	36	30	22	17	51
150	46	48	43	37	330	22	17	51
200	47	49	44	37	31	23	18	52
250	47	49	45	38	32	23	18	52
315	43	49	49	39	32	24	25	53
355	44	49	50	41	33	25	25	53
400	46	54	53	43	36	28	29	57
450	47	55	54	44	36	29	30	58
500	44	55	55	45	35	29	31	59

ACCESSORIES

- Pipe Clamp Connectors

BM125	Ref No 5076
BM150	Ref No 6164
BM200	Ref No 5078
BM250	Ref No 5079
BM315	Ref No 5080

A quick-fix method for connecting fans to ducting, reducing vibration transmission. When installing leave a small gap between fan spigot and ducting
Supplied in pairs



- Spigotted Attenuators

SRSD 125/600	Ref No S8906
SRSD 150/600	Ref No S8910
SRSD 160/600	Ref No S8914
SRSD 200/600	Ref No S8918
SRSD 250/600	Ref No S8922
SRSD 315/600	Ref No S8926
SRSD 355/600	Ref No S8928
SRSD 400/600	Ref No S8930

Spigotted attenuator with 50mm insulation
Fits nominal size ducting or to be fixed with pipe clamp connectors



- Automated changeover panel

ACSWEC	Ref No S1499
--------	--------------

For automatic changeover of twin fans, using current sensing. Duty sharing (8 selections from 3 to 24 hours), manual selection, variable overloads, alarm out-put for BMS. Built in trickle and boost with adjustable speeds for commissioning.

Protection	IP 40
Current	Max. 8 amps
Dim. m	W 190 X H 240 X D 70



- Electronic Speed Controller

PA10	Ref No 1735
------	-------------

For direct control or nominal value preset of EC fans with POTENTIOMETER INPUT. Additionally equipped with an enabling switch and LED display for the operating status (dependent on feature of fan type)

Casing: Surface mounted installation; polymer; light grey projections

Dim. mm	W80 x D21
---------	-----------



125ITEC

