

Features of another great plate axial from
FlaktWoods

Diameters 315 mm to 630 mm

Volumes Up to 4.1 m³/s (14,750 m³/h)

Pressures Up to 175 Pa (Static)

Impeller Fixed Pitch, JM Aerofoil Case Style

Supplied fully assembled

The plate is made from steel and powder
coated RAL 7001

Installation can be either horizontal or vertical

The fan can be mounted inside or outside

Operating temperature range is -40°C to + 70°C

All offered fans are suitable for speed control

Supplied fully assembled

The plate is made from steel and powder
coated RAL 7001

Installation can be either horizontal or vertical

The fan can be mounted inside or outside

Operating temperature range is -40°C to + 70°C

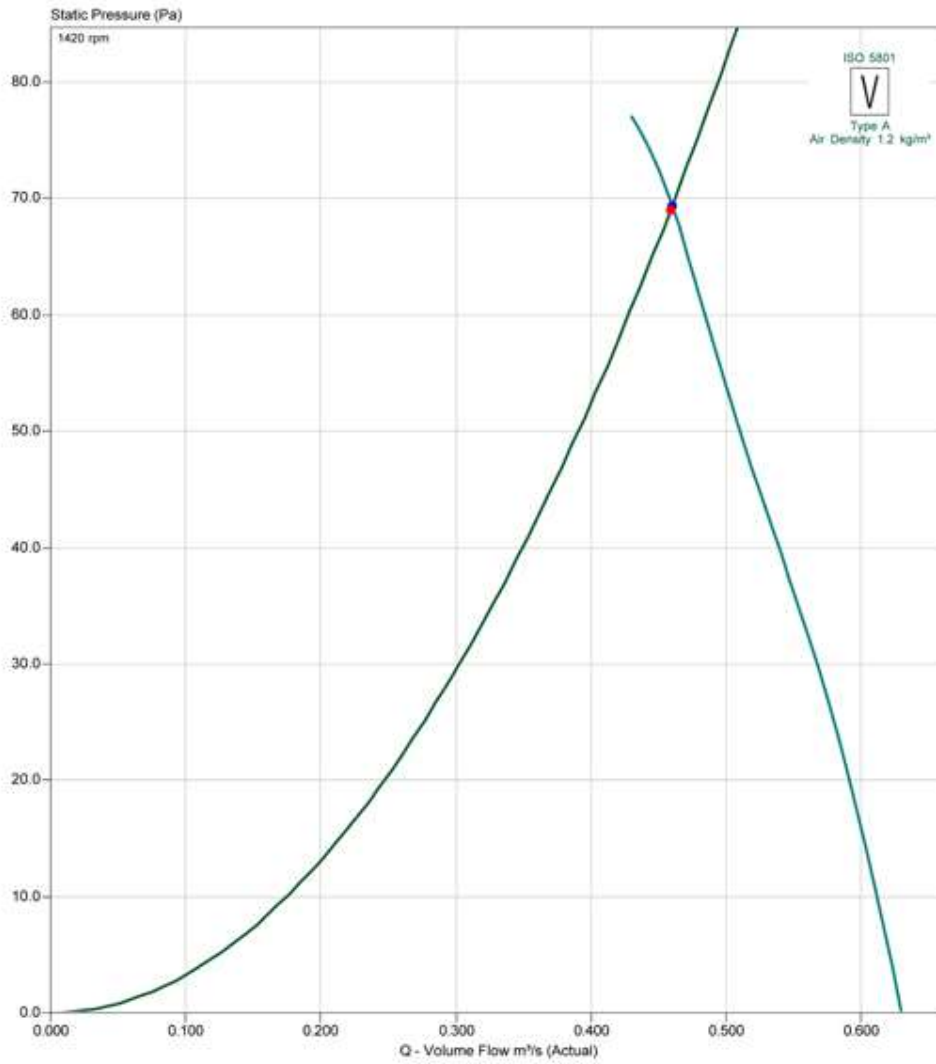
All offered fans are suitable for speed control

Northern Fan Supplies Ltd
Performance Chart
JM Platemounted



Project Name :
Quotation Number :
Customer :

Date: : Wednesday, July 11, 2012
Fan Code : 31JMP/16/4/5/40
Item Reference: :



Project Name :
 Quotation Number :
 Customer :
 Fan Code 31JMP/16/4/5/40
 Fan Diameter / Size 315 Size /mm
 Blades 5
 Fan Speed 1420 rpm
 Velocity 5.9 m/s
 Blade Angle 40°
 Form of Running A

 Requested Duty 0.46m³/s @ 69 Pa (static)
 Outlet Dynamic Pressure 21 Pa

 Max Shaft Power 0.095 kW

 Motor Frame BT4
 Motor Efficiency IE1
 Motor Rating 0.095 kW
 Full Load Current 0.8 A
 Starting Current 1.3 A
 Motor Mounting Pad
 Electrical Supply 220-240 Volts 50 Hz 1 Phase
 Start Type DOL
 Motor Winding Standard
 Enclosure Standard All
 SFP value 0.21 W/(l/s)
 Energy Consumption 190 kWh (2000 h/year)
 Running Cost / Year £17

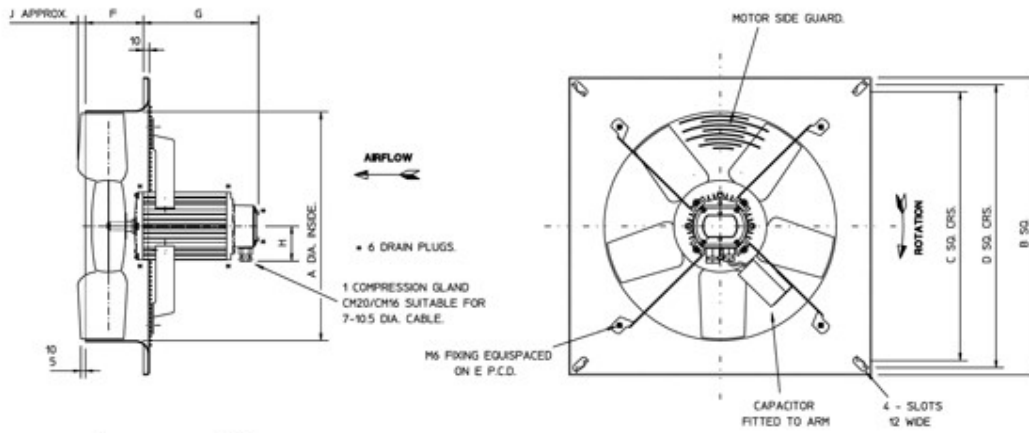
 Air Density 1.2 kg/m³ / 20 °C / 0 m / 50% RH
 Smoke Venting Non Smoke Venting
 Product Number DT315410

	Sound Spectrum (Hz)								Overall	
	63	125	250	500	1k	2k	4k	8k	Lw*	LpA @ 3m**
Inlet*	57	69	63	62	59	57	53	47	71	44
* Lw dB re 10 ⁻¹² W									** dBA re 2x10 ⁻⁵ Pa	

Performance data has been derived from tests carried out in a Flakt Woods laboratory, in accordance with ISO 5801 and is specifically applicable for Non Ducted installations.

Acoustic data has been derived from tests carried out in a Flakt Woods laboratory, in accordance with BS 848 Pt 2, 1985 under Non Ducted conditions. The single figure provided is the overall Inlet sound pressure level at the specified distance, under spherical, free field conditions.

Terms and Conditions: This offer is made subject to the terms and conditions detailed on the accompanying letter.



A	315
B	425
C	375
D	400
E	398
F	100
G	163
H	61
J	18
Weight with 1 Moto	10

Notes : Dimensions shown in mm / Weight in kg

Reference :D251769

This drawing shows dimensions that should be used as a guide only and are subject to change. Certified drawings are available on request.