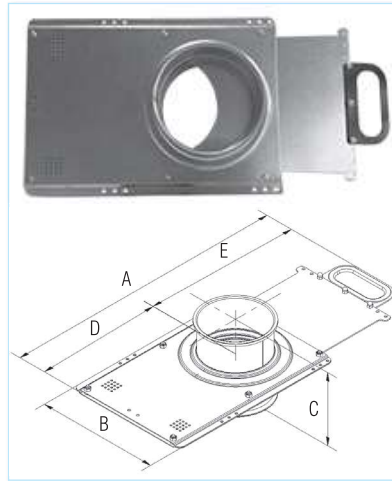


### SBMS Manual Damper

Ø mm	Item no. Galv	A mm	B mm	C mm	D mm	E mm	Wt kg
80	8210000784	397	197	133	185	254	3,0
100	8210000785	509	217	133	220	289	3,0
125	8210000786	564	242	133	248	316	3,5
140	8210000787	619	257	133	275	344	4,0
150	8210000788	629	267	133	280	349	4,0
160	8210000789	679	227	133	305	374	4,5
180	8210000790	739	297	133	335	404	5,0
200	8210000791	799	317	133	365	434	6,0
224	8210000792	883	341	133	407	476	6,5
250	8210000793	949	367	133	440	509	7,5
300	8210000794	1099	417	133	515	584	9,5
315	8210000795	1144	432	133	538	606	10,0
350	8210000796	1279	467	133	605	674	11,5
400	8210000797	1429	517	133	680	749	14,0

ORDER EXAMPLE:  
Damper Manual SBMS Galv 315QF/FB

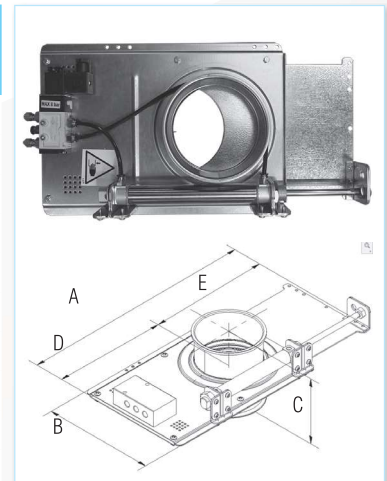


The SBMS type energy saving damper is a manually operated blast gate or sliding damper.

### SBAS Automatic Damper

Ø mm	Item no. Galv	A mm	B mm	C mm	D mm	E mm	Wt kg	No. of Cylinders	Item no. for Optional Cover Plate	Item no. for Optional Auto Kit
80	8210002032	397	197	133	185	212	4,0	1	8210001991	8210002007
100	8210002033	467	217	133	220	247	4,0	1	8210001992	8210002008
125	8210002034	522	242	133	248	251	4,5	1	8210001993	8210002009
140	8210002035	577	257	133	275	274	5,5	1	8210001994	8210002010
150	8210002036	587	267	133	280	307	6,0	1	8210001995	8210002011
160	8210002037	637	227	133	305	332	6,0	1	8210001996	8210002012
180	8210002038	697	297	133	335	362	7,0	1	8210001997	8210002013
200	8210002039	757	317	133	365	392	7,0	1	8210001998	8210002014
224	8210002040	841	341	133	407	434	7,5	1	8210001999	8210002015
250	8210002041	907	367	133	440	467	8,0	2	8210002000	8210002016
300	8210002042	1057	417	133	515	542	12,0	2	8210002001	8210002017
315	8210002043	1102	432	133	538	564	12,5	2	8210002002	8210002018
350	8210002044	1237	467	133	605	632	14,0	2	8210002003	8210002019
400	8210002045	1387	517	133	680	707	16,5	2	8210002004	8210002020

ORDER EXAMPLE:  
Damper Auto SBAS Galv 224QF/FB 230VAC



The SBAS energy saving damper is an automatic blast gate driven by double acting compressed air cylinders.

- The damper should be connected to clean and dry compressed air
- Working pressure 6 – 8 bar
- Maximum temperature 75°C
- Voltage: 230V AC (Coils for 24-48-110 V AC & DC optional)

Optional accessories	Item no.
Reed Relay (Kit includes 2 relays with attachments)	8210002005
Microswitch	8210001605
Coil 230VAC G80-B-810	8210001600
Coil 230VAC Atex Zone 22	8210001601
Coil 24VAC EX II 3D	8210001602
Coil 24VAC 4W, G80-B-340	8210001603
Coil 24VDC 2.5W G80-B-330 NFES	8210000764
Coil 120VAC 7.5W	8210001604

#### Reed Relay



#### Microswitch



#### Shield Cover Plate

