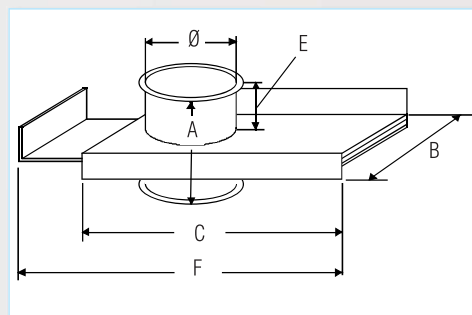


## SBBA Manual Damper

The SBBA is a circular slide damper for tight closure. In the closed position, the damper is airtight and silent. Since there is no damper blade in the air stream in the open position, the damper is suitable for use in systems for dustladen air. The damper is used for closing extraction points on machinery and in workplaces not currently in use.

Ø mm	Item no. Galv	Item no. 304SS	A mm	B mm	C mm	E mm	F mm	Weight kg
80	8210004532	8210003599	125	160	295	60	345	2,7
100	8210004533	8210003600	125	180	285	60	405	3,0
125	8210004534	8210003601	125	205	345	60	480	3,6
140	8210004535	8210003602	125	230	395	60	555	4,5
150	8210004536	8210003603	125	230	395	60	555	4,5
160	8210004537	8210003604	125	240	415	60	585	4,7
180	8210004538	8210003605	125	280	495	60	705	5,6
200	8210004539	8210003606	125	280	495	60	705	5,6
225	8210004540	8210003607	165	345	595	77	855	10,2
250	8210004541	8210003608	165	370	595	77	855	12,2
300	8210004542	8210003609	165	420	725	77	1050	18,1
315	8210004543	8210003610	165	435	725	77	1050	19,0
350	8210004544	8210003611	165	470	795	77	1155	22,5
400	8210004545	8210003612	165	520	895	77	1305	26,1

ORDER EXAMPLE:  
Damper Manual SBBA Galv 225QF

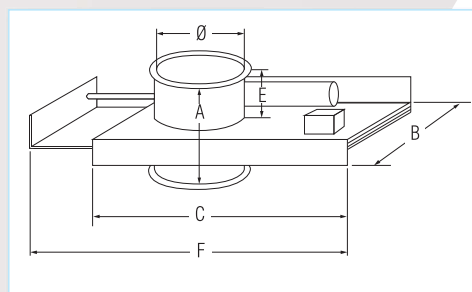


## SBBB Automatic Damper

The SBBB is a circular compressed air powered automatic slide damper for rapid and tight closure. Since the damper is opened and closed automatically, extraction is always focused on the connections, extraction points, or machines currently in operation. This maximises extraction power, with lower energy consumption as a bonus.

Ø mm	Item no. Galv	Item no. 304SS	A mm	B mm	C mm	E mm	F mm	Weight kg
80	8210004628	8210003613	125	160	225	55	250	3,0
100	8210004629	8210003614	125	180	265	55	290	3,3
125	8210004630	8210003615	125	205	315	55	340	4,0
140	8210004631	8210003616	125	230	365	55	390	5,0
150	8210004632	8210003617	125	230	365	55	390	5,0
160	8210004633	8210003618	125	240	385	55	410	5,2
180	8210004634	8210003619	125	280	465	55	490	6,2
200	8210004635	8210003620	125	280	465	55	490	6,2
225	8210004636	8210003621	165	345	565	77	585	11,3
250	8210004637	8210003622	165	370	565	77	585	13,5
300	8210004638	8210003623	165	420	695	77	730	20,1
315	8210004639	8210003624	165	435	695	77	730	21,1
350	8210004640	8210003625	165	470	765	77	800	25,0
400	8210004641	8210003626	165	520	865	77	905	29,0

ORDER EXAMPLE:  
Damper Automatic SBBB Galv 315QF 230VAC



- The damper should be connected to clean and dry compressed air
- Working pressure 5 to 8 bar
- Maximum temperature 80° C
- Voltage: 230 V AC (Coils for 24-110 V AC & DC optional, see website for item numbers)
- ATEX coil and solenoid optional