

## features & benefits

### Axial flow fan for window / wall / ceiling mounting

For use in the bathroom, utility or kitchen

Easy clean, modern, attractive aesthetic front fascia

Shockproof, heat resistant ABS UV resistant plastic, finished in white (RAL 9010)

Single phase 220V to 240V 50Hz or 60Hz

# HQS

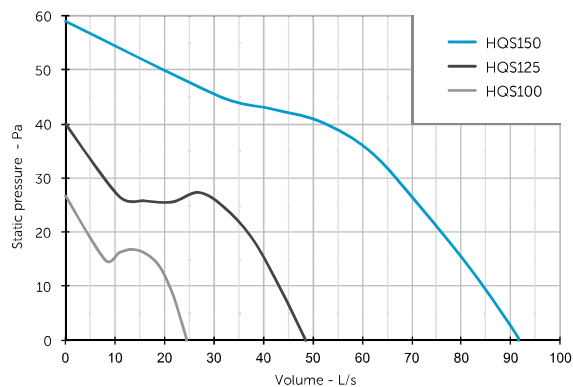
## Axial Flow Fan

**IPX4**  
splashproof

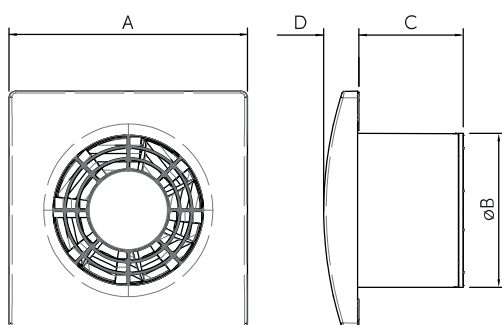
**50°C**  
temperature



## curves



## dimensional drawing



## product information

|                              | HQS                   |        |        |
|------------------------------|-----------------------|--------|--------|
|                              | 100                   | 125    | 150    |
| Airflow (L/s) max            | 24.5                  | 48.6   | 91.6   |
| Static Pressure (Pa) max     | 26                    | 40     | 58     |
| Power (W) max                | 8                     | 14     | 24     |
| Sound Pressure (dBA @ 3m)    | 26                    | 33     | 42     |
| Ambient Temperature (°C) max | 50                    | 50     | 50     |
| Price - Standard             | <b>HQS###</b> £30.00  | £41.00 | £64.00 |
| Price - Timer                | <b>HQS###T</b> £43.00 | £53.00 | £76.00 |

Replace ### with required size.

## dimensions

|             | 100  | 125  | 150  |
|-------------|------|------|------|
| A           | 164  | 184  | 218  |
| øB          | 99   | 119  | 148  |
| C           | 70   | 81   | 97   |
| D           | 28   | 27   | 27   |
| Weight (kg) | 0.49 | 0.65 | 1.02 |

Dimensions in mm.

## accessories

|   | 100      | 125      | 150      |
|---|----------|----------|----------|
| Ceiling Gasket                            | HCG100   | HCG125   | HCG150   |
| Fixed Grille                              | HEG100   | HEG125   | HEG150   |
| External Gravity Shutters                 | HES100   | HES125   | HES150   |
| Window Kit with External Fixed Grille     | HWKG100  | HWKG125  | HWKG150  |
| Window Kit with External Gravity Shutters | HWKS100  | HWKS125  | HWKS150  |
| Wall Sleeve                               | HWS100   | HWS125   | HWS150   |
| Telescopic Pipe                           | HTP100   | HTP125   | HTP150   |
| 3m Flexible Aluminium Duct                | HFD100X3 | HFD125X3 | HFD150X3 |

See pages 51 - 54 for accessory prices.