

LGH-RVX3-E

Commercial Series



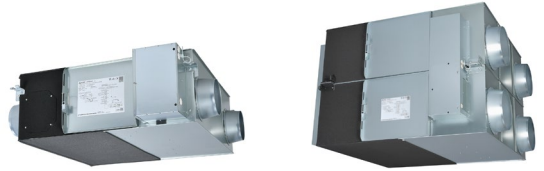
The Lossnay **LGH-RVX3-E** Mechanical Ventilation Heat Recovery (MVHR) systems are designed to supply clean, fresh air into any commercial building, whilst simultaneously extracting stale air, ensuring good indoor air quality for occupant wellbeing.

These units are also able to recover valuable heat and latent energy from inside the building, maximising energy efficiency and reducing running costs.

Key Features & Benefits:

- Lossnay paper core enables total heat exchange (sensible and latent) to achieve higher levels of heat recovery, resulting in both cost and energy savings
- Flexible supply and exhaust fan commissioning in 5% increments, offering low running costs and easier compliance with Part L
- Optional Mitsubishi Electric energy saving CO₂ sensors allow automatic incremental fan control for a healthy indoor environment; sensors powered by Lossnay unit
- Full airflow in bypass mode, promoting good indoor air quality during free cooling
- Dual-Barrier coating on the fan prevents dust and grease accumulation, ensuring long-term efficient operation
- Lightweight structure ideal for easy ceiling installation
- Vertical installation available for flexibility of application
- Control compatibility with Mr Slim and City Multi air conditioning systems for a complete and highly effective system operation



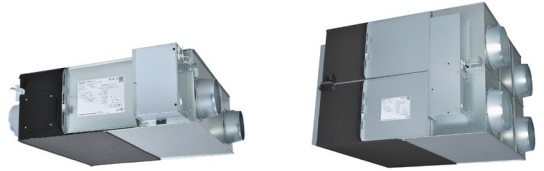


MODEL			LGH-15RVX3-E	LGH-25RVX3-E	LGH-35RVX3-E	LGH-50RVX3-E	LGH-65RVX3-E	LGH-80RVX3-E	LGH-100RVX3-E	LGH-160RVX3-E	LGH-200RVX3-E	
25% (Default speed 1)	Air Volume	m³/h	38	63	88	125	163	200	250	400	500	
		l/s	10	17	24	35	45	56	69	111	139	
	External Static Pressure	Pa	8	8	10	10	10	11	12	12	11	11
		Temperature Exchange Efficiency	Heating %	81.5	88.0	82.0	75.0	82.0	80.0	83.5	80.0	83.5
	Cooling %		78.0	85.0	79.0	73.0	80.0	78.0	82.5	78.0	82.5	
	Enthalpy Exchange Efficiency	Heating %	80.5	84.0	80.0	73.0	80.0	73.5	75.5	73.5	76.0	
		Cooling %	68.0	73.0	69.5	65.0	69.0	68.0	71.5	68.0	70.0	
	Specific Fan Power	W/(l/s)	0.96	0.63	0.62	0.43	0.44	0.41	0.39	0.41	0.41	
	Input Power	W	10	11	15	15	20	23	27	45	57	
	Sound Pressure Level	dB(A)	17.0	17.0	17.0	17.0	17.5	18.0	18.5	18.0	18.0	
50% (Default speed 2)	Air Volume	m³/h	75	125	175	250	325	400	500	800	1000	
		l/s	21	35	49	69	90	111	139	222	278	
	External Static Pressure	Pa	30	30	40	38	38	43	48	43	43	
		Temperature Exchange Efficiency	Heating %	78.0	81.0	79.0	73.5	78.5	78.0	79.5	78.0	79.5
	Cooling %		73.5	79.0	74.0	71.0	74.5	75.5	77.0	75.5	76.0	
	Enthalpy Exchange Efficiency	Heating %	76.5	75.5	77.5	72.0	76.5	70.5	68.5	70.5	67.5	
		Cooling %	61.0	65.0	63.5	60.0	61.5	62.5	64.0	62.5	64.5	
	Specific Fan Power	W/(l/s)	0.72	0.60	0.60	0.49	0.56	0.58	0.60	0.58	0.59	
	Input Power	W	15	21	29	34	51	64	83	128	163	
	Sound Pressure Level	dB(A)	18.0	19.5	19.0	21.0	24.0	25.0	27.0	26.0	27.5	
75% (Default speed 3)	Air Volume	m³/h	113	188	263	375	488	600	750	1200	1500	
		l/s	31	52	73	104	135	167	208	333	417	
	External Static Pressure	Pa	68	68	90	85	85	96	107	96	96	
		Temperature Exchange Efficiency	Heating %	75.5	78.5	77.0	71.5	75.0	76.5	77.0	76.5	77.5
	Cooling %		70.5	76.5	71.0	67.0	70.0	70.0	72.0	70.0	71.5	
	Enthalpy Exchange Efficiency	Heating %	73.5	72.0	74.5	69.5	72.0	65.0	63.0	65.0	64.0	
		Cooling %	57.0	60.5	59.5	55.0	55.0	56.0	59.0	56.0	59.5	
	Specific Fan Power	W/(l/s)	0.96	0.81	0.84	0.78	0.89	0.96	1.01	0.97	1.00	
	Input Power	W	30	42	61	81	120	160	210	324	416	
	Sound Pressure Level	dB(A)	22.0	25.0	24.5	27.0	31.5	33.5	35.0	35.0	36.0	
100% (Default speed 4)	Air Volume	m³/h	150	250	350	500	650	800	1000	1600	2000	
		l/s	42	69	97	139	181	222	278	444	556	
	External Static Pressure	Pa	120	120	160	150	150	170	190	170	170	
		Temperature Exchange Efficiency	Heating %	73.5	75.5	75.0	70.5	72.5	75.0	75.5	75.0	76.5
	Cooling %		65.5	70.5	66.5	63.5	65.0	65.0	67.5	65.0	66.5	
	Enthalpy Exchange Efficiency	Heating %	70.5	69.0	72.0	68.5	69.5	62.0	60.5	62.0	60.5	
		Cooling %	52.5	56.0	55.0	51.5	50.5	52.0	53.5	52.0	57.0	
	Specific Fan Power	W/(l/s)	1.32	1.08	1.23	1.33	1.36	1.54	1.58	1.55	1.54	
	Input Power	W	55	75	120	185	245	343	438	687	855	
	Sound Pressure Level	dB(A)	27.0	30.5	30.5	35.0	37.5	39.0	40.0	41.0	41.5	
DUCT SIZE	mm	100	150	150	200	200	250	250	SA,PA(250) (QA,EA)(270 x 700)	SA,PA(250) (QA,EA)(270 x 700)		
WEIGHT	kg	20	22	30	33	41	47	53	96	108		
DIMENSIONS	Width x Depth x Height	mm	780 x 610 x 289	780 x 735 x 289	888 x 874 x 331	888 x 1016 x 331	908 x 954 x 404	1144 x 1004 x 404	1144 x 1231 x 404	1144 x 1004 x 808	1144 x 1231 x 808	
ELECTRICAL POWER SUPPLY			220-240V, 50Hz									
Maximum Current	A	0.57	0.88	1.37	1.86	2.37	3.23	3.77	4.74	5.40		
FUSE RATING (BS88) - HRC (A)	A	6	6	6	6	6	6	6	10	10		
HEAT EXCHANGER			Paper with specially treated Cellulose Membrane									
STANDARD FILTER			ISO 16890 Coarse 60% ¹									

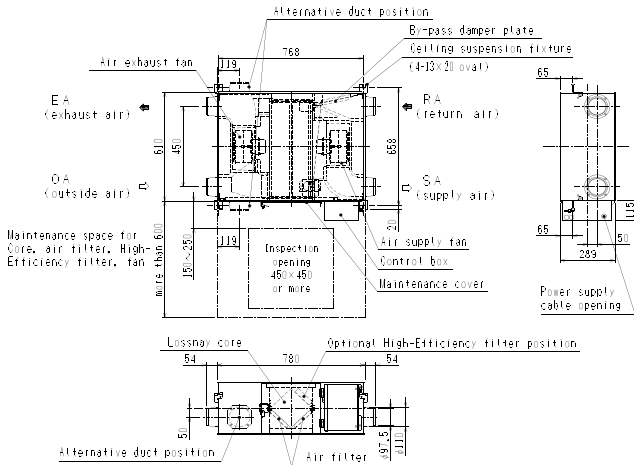
Notes: Running current, power consumption, recovery efficiency, and sound levels are based on the above default airflow rates at 25%, 50%, 75%, and 100%. Specific duty point data is available upon request. Supply and exhaust fan speeds can be individually commissioned between 25% and 100% in 5% increments. Sound Pressure Level measured at 1.5m under the centre of the bottom panel. Air flow rates, external static pressure and specific fan powers tested to BS EN13053: 2019. Energy recovery efficiencies tested to BS EN308: 2022.

¹: EN 779 G4 equivalent according to 'REHVA Filter Class Conversion between EN 779 and EN ISO 16890-1'.

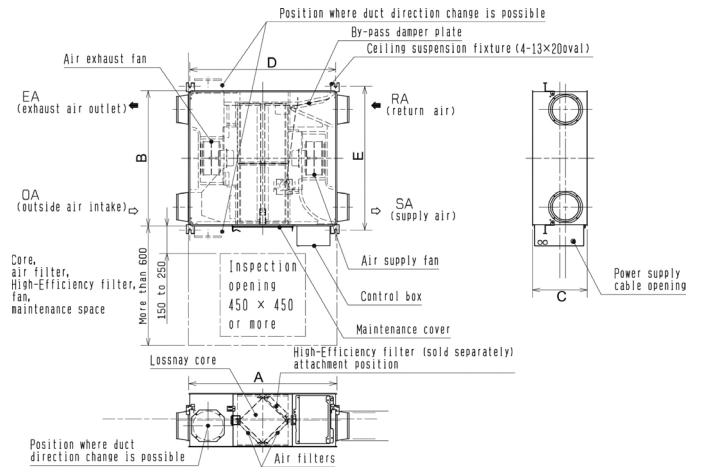
ACCESSORIES		LGH-15RVX3-E	LGH-25RVX3-E	LGH-35RVX3-E	LGH-50RVX3-E	LGH-65RVX3-E	LGH-80RVX3-E	LGH-100RVX3-E	LGH-160RVX3-E	LGH-200RVX3-E	
Remote Controller		PZ-62DR-EB									
Filters	Standard Replacement Filter (Coarse 60%)	PZ-15RF3-E	PZ-25RF3-E	PZ-35RF3-E	PZ-50RF3-E	PZ-65RF3-E	PZ-80RF3-E	PZ-100RF3-E	PZ-80RF3-E (2 sets)	PZ-100RF3-E (2 sets)	
	ePM, 75%	PZ-15RFP3-E	PZ-25RFP3-E	PZ-35RFP3-E	PZ-50RFP3-E	PZ-65RFP3-E	PZ-80RFP3-E	PZ-100RFP3-E	PZ-80RFP3-E (2 sets)	PZ-100RFP3-E (2 sets)	
CO ₂ Sensors		PZ-70CSW-E (Wall mounted) / PZ-70CSD-E (Duct mounted)									
Vertical Mounting Brackets		PZ-1VS-E	PZ-1VS-E	PZ-1VS-E	PZ-1VS-E	PZ-2VS-E	PZ-2VS-E	PZ-2VS-E	-	-	
Weather Proof Housings		-	KS4-KWH25RVX	KS4-KWH35RVX	KS4-KWH50RVX	KS4-KWH65RVX	KS4-KWH80RVX	KS4-KWH100RVX	KS4-KWH150RVX	KS4-KWH200RVX	



LGH-15RVX3-E DIMENSIONS

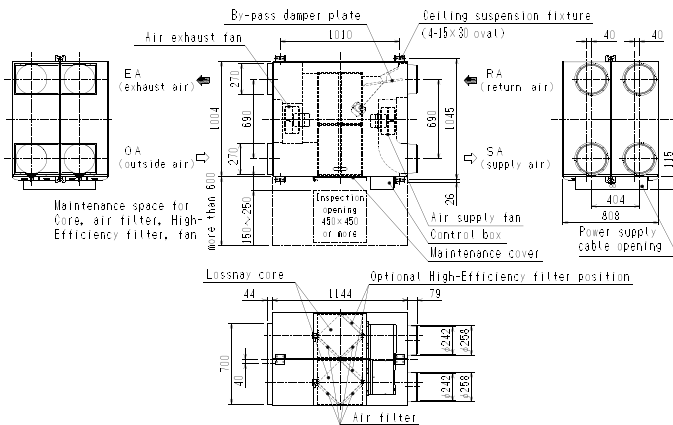


LGH-25-100RVX3-E DIMENSIONS

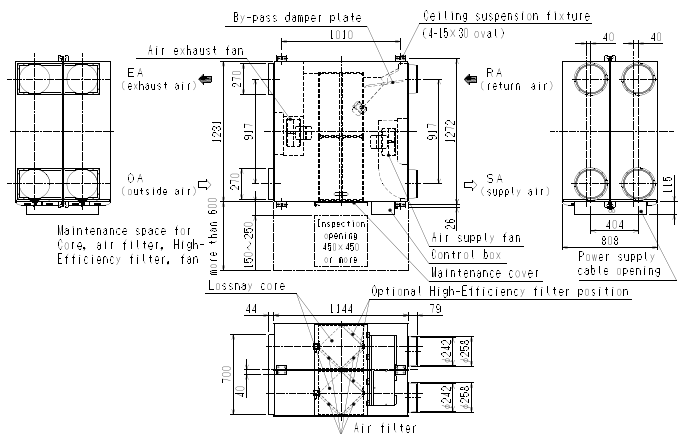


MODEL	DIMENSIONS			CEILING SUSPENSION FIXTURE PITCH		NOMINAL DUCT DIAMETER
	A	B	C	D	E	
LGH-25RVX3-E	780	735	289	768	782	150
LGH-35RVX3-E	888	874	331	875	921	150
LGH-50RVX3-E	888	1016	331	875	1063	200
LGH-65RVX3-E	908	954	404	895	1001	200
LGH-80RVX3-E	1144	1004	404	1131	1051	250
LGH-100RVX3-E	1144	1231	404	1131	1278	250

LGH-160RVX3-E DIMENSIONS



LGH-200RVX3-E DIMENSIONS



Telephone: 01707 282880
 email: air.conditioning@meuk.mee.com
les.mitsubishielectric.co.uk



Mitsubishi Electric Living
Environmental Systems UK



Mitsubishi Electric
Cooling and Heating UK



[mitsubishielectricuk_les](https://www.instagram.com/mitsubishielectricuk_les)



Mitsubishi Electric Living
Environmental Systems UK



thehub.mitsubishielectric.co.uk

UNITED KINGDOM Mitsubishi Electric Europe Living Environment Systems Division, Travellers Lane, Hatfield, Hertfordshire, AL10 8XB, England. Telephone: 01707 282880 Fax: 01707 278881
 IRELAND Mitsubishi Electric Europe, Westgate Business Park, Ballymount, Dublin 24, Ireland. Telephone: (01) 419 8800 Fax: (01) 419 8890 International code: (003531)

Country of origin: United Kingdom - Italy - Turkey - Japan - Thailand - Malaysia. ©Mitsubishi Electric Europe 2023. Mitsubishi and Mitsubishi Electric are trademarks of Mitsubishi Electric Europe B.V. The company reserves the right to make any variation in technical specification to the equipment described, or to withdraw or replace products without prior notification or public announcement. Mitsubishi Electric is constantly developing and improving its products. All descriptions, illustrations, drawings and specifications in this publication present only general particulars and shall not form part of any contract. All goods are supplied subject to the Company's General Conditions of Sale, a copy of which is available on request. Third-party product and brand names may be trademarks or registered trademarks of their respective owners.

Note: Refer to 'Installation Manual' and 'Instruction Book' for further 'Technical Information'. The fuse rating is for guidance only and please refer to the relevant databook for detailed specification. It is the responsibility of a qualified electrician/electrical engineer to select the correct cable size and fuse rating based on current regulation and site specific conditions. Mitsubishi Electric's air conditioning equipment and heat pump systems contain a fluorinated greenhouse gas, R410A (GWP:2088), R32 (GWP:675), R407C (GWP:1774), R134a (GWP:1430), R513A (GWP:631), R454B (GWP:466), R1234ze (GWP:7) or R1234yf (GWP:4). *These GWP values are based on Regulation (EU) No 517/2014 from IPCC 4th edition. In case of Regulation (EU) No.626/2011 from IPCC 3rd edition, these are as follows. R410A (GWP:1975), R32 (GWP:550), R407C (GWP:1650) or R134a (GWP:1300).

Effective as of April 2023

