

**Specification**

Centrifugal roof fan with horizontal discharge. Flat design with large overlaying rain cowl.

**Casing**

Base plate (with inlet cone) and other parts made of galvanised steel. Rain cowl and protection grille made of aluminium. Base plate with threaded bolt for connection of intake air accessories.

**Impeller**

High performance backward curved centrifugal impeller made of galvanised sheet steel, dynamically balanced with the motor unit.

**Motor**

Energy saving, speed controllable EC-external rotor motor with highest efficiency, protection to IP 44. With ball bearings, maintenance-free and interference-free.

**Motor protection**

Integrated electronic temperature monitoring for EC-motor and electronics.

**Electrical connection**

Terminal box (protection to IP 55) located beneath rain cowl as standard.

**Guard**

On the outlet as standard, compliant with DIN EN ISO 13857.

**Speed control**

Stepless speed control with potentiometer or stepless speed control with universal control system (see table). Duties at different speeds are specified in the performance curve.

**Delivery**

Fully assembled, ready to connect unit.

**Sound levels**

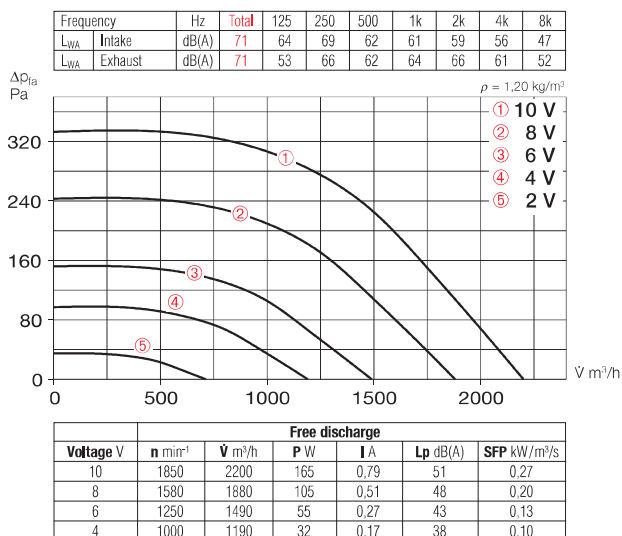
Total sound power levels and the spectrum figures in dB(A) are given for:

- Sound power intake
  - Sound power exhaust
- In the table below as well as underneath the performance curve you can find additionally the sound pressure level at 4 m (free field conditions).

Type	Ref. no.	Connection Ø	R.P.M.	Air flow volume (FID)	Sound press. case breakout	Motor power	Current	Wiring diagram	max. air flow temperature	Weight net approx.	Universal control system		Speed-potentiometer flush		Speed-potentiometer surface	
											Type	Ref. no.	Type	Ref. no.	Type	Ref. no.
<b>Single phase motor, 230 V, 50/60 Hz, EC motor, IP 44</b>																
<b>RDW EC 225</b>	1630	225	1850	2200	51	0.22	0.96	994	40	30.0	<b>EUR EC</b> <sup>1)2)</sup>	1347	<b>PU 10</b> <sup>3)</sup>	1734	<b>PA 10</b> <sup>3)</sup>	1735

1) several EC fans can normally be connected 2) alternative electronic pressure/temperature controller (EDR/ETR, No. 1437/1438) in connection with the power supply NG24, No. 1439, see accessories 3) without LED power supply

### RDW EC 225



Accessory details	Page
Roof mounting accessories	485
Ventilation grilles	487 on
Extract elements	500 on
Intake elements	512 on
Fire protection elements	516 on
Universal control system, electronic controller, speed-potentiometer	539 on

### Accessories

#### Hinged base attenuator

**Type SSD 225** Ref. no. 5290

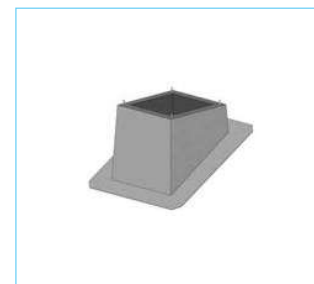
With folding mechanism for easy revision and cleaning. Average attenuation is 15 dB. For intake attenuation. All metal parts made of galvanised sheet steel.



#### Sloping roof base

**Type SDS** upon request

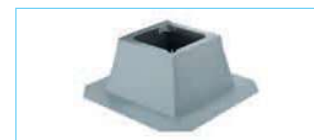
For profile and tiled roofs. Made from galvanised sheet steel, with sound and heat-insulated cladding on the inside. Roof pitch up to 45°.



#### Flat roof base

**Type FDS 225** Ref. no. 1378

With folding mechanism for easy inspection and cleaning.



#### Corrugated roof base

**Type WDS 225** Ref. no. 1560

For EC roof fans and roof cowls on corrugated roof, slope to 25° allowed. Made from corrosion resistant glass reinforced polyester (profile no. 5).



#### Counterflange

**Type FR 225** Ref. no. 1201

Made from galvanised sheet steel, for intake duct connection.



#### Flanged flexible connector

**Type STS 225** Ref. no. 1218

To reduce vibration transmission in intake air ducting. Flanges made of galvanised steel.



#### Backdraught shutter

**Type RVS 225** Ref. no. 2591

Automatic, made from galvanised sheet steel, flaps made of aluminium. To prevent cold air backdraught when the fan is not in use. For vertical air flow bottom-up position.



#### Motorised backdraught shutter

**Type RVM 225** Ref. no. 2575

As RVS, but with spring reversing motor, mounted outside the air flow and for vertical air flow in any direction.



#### Universal control system

**Type EUR EC** Ref. no. 1347

For stepless control or adjustment of single and three phase EC-fans with an input control signal of 0–10 V DC.

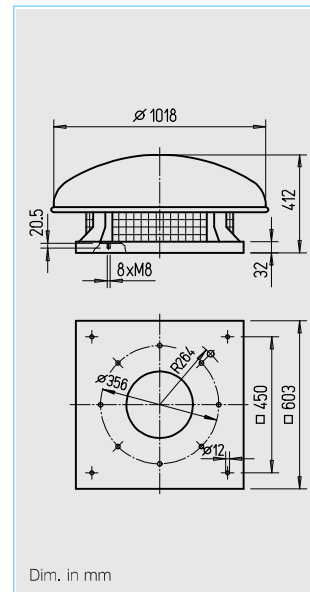


#### Speed-potentiometer

**Type PU/PA 10** see type table

For direct control or nominal value preset of EC-fans with potentiometer input.



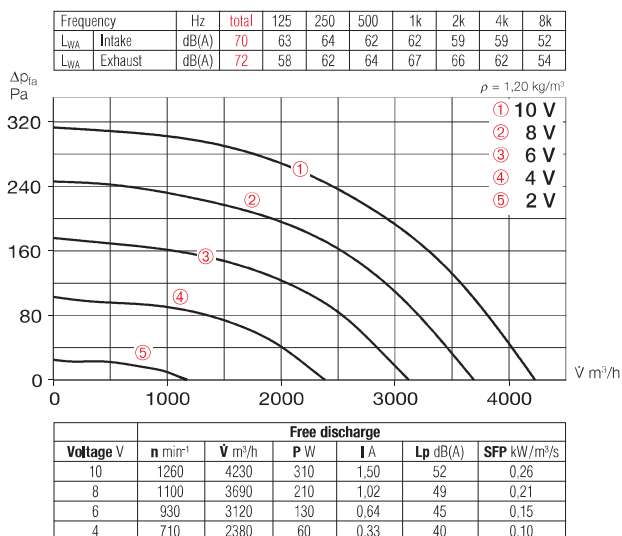


- Specification**  
 Centrifugal roof fan with horizontal discharge. Flat design with large overlaying rain cowl.
- Casing**  
 Base plate (with inlet cone) and other parts made of galvanised steel. Rain cowl and protection grille made of aluminium. Base plate with threaded bolt for connection of intake air accessories.
- Impeller**  
 High performance backward curved centrifugal impeller made of galvanised sheet steel, dynamically balanced with the motor unit.
- Motor**  
 Energy saving, speed controllable EC-external rotor motor with highest efficiency, protection to IP 44. With ball bearings, maintenance-free and interference-free.
- Motor protection**  
 Integrated electronic temperature monitoring for EC-motor and electronics.
- Electrical connection**  
 Terminal box (protection to IP 55) located beneath rain cowl as standard.
- Guard**  
 On the outlet as standard, compliant with DIN EN ISO 13857.
- Speed control**  
 Stepless speed control with potentiometer or stepless speed control with universal control system (see table). Duties at different speeds are specified in the performance curve.
- Delivery**  
 Fully assembled, ready to connect unit.
- Sound levels**  
 Total sound power levels and the spectrum figures in dB(A) are given for:
  - Sound power intake
  - Sound power exhaust
 In the table below as well as underneath the performance curve you can find additionally the sound pressure level at 4 m (free field conditions).

Type	Ref. no.	Connection Ø	R.P.M.	Air flow volume (FID)	Sound press. case breakout	Motor power	Current	Wiring diagram	max. air flow temperature	Weight net approx.	Universal control system		Speed-potentiometer flush		Speed-potentiometer surface	
											Type	Ref. no.	Type	Ref. no.	Type	Ref. no.
Single phase motor, 230 V, 50/60 Hz, EC motor, IP 44																
RDW EC 315	1632	315	1260	4230	52	0.40	1.80	994	40	40.0	EUR EC <sup>1)2)</sup>	1347	PU 10 <sup>3)</sup>	1734	PA 10 <sup>3)</sup>	1735

1) several EC fans can normally be connected 2) alternative electronic pressure/temperature controller (EDR/ETR, No. 1437/1438) in connection with the power supply NG24, No. 1439, see accessories 3) without LED power supply

### RDW EC 315



#### Accessory details Page

Roof mounting accessories	485
Ventilation grilles	487 on
Extract elements	500 on
Intake elements	512 on
Fire protection elements	516 on
Universal control system, electronic controller, speed-potentiometer	539 on

#### Accessories

##### Hinged base attenuator

**Type SSD 315** Ref. no. 5292

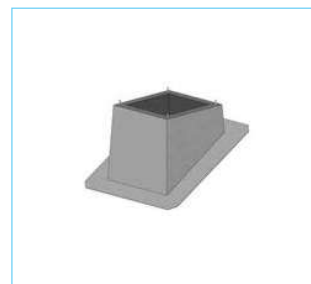
With folding mechanism for easy revision and cleaning. Average attenuation is 15 dB. For intake attenuation. All metal parts made of galvanised sheet steel.



##### Sloping roof base

**Type SDS** upon request

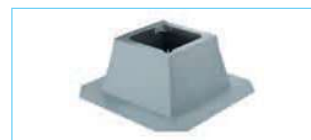
For profile and tiled roofs. Made from galvanised sheet steel, with sound and heat-insulated cladding on the inside. Roof pitch up to 45°.



##### Flat roof base

**Type FDS 315** Ref. no. 1379

With folding mechanism for easy inspection and cleaning.



##### Corrugated roof base

**Type WDS 315** Ref. no. 1561

For EC roof fans and roof cowls on corrugated roof, slope to 25° allowed. Made from corrosion resistant glass reinforced polyester (profile no. 5).



##### Counterflange

**Type FR 315** Ref. no. 1204

Made from galvanised sheet steel, for intake duct connection.



##### Flanged flexible connector

**Type STS 315** Ref. no. 1221

To reduce vibration transmission in intake air ducting. Flanges made of galvanised steel.



##### Backdraught shutter

**Type RVS 315** Ref. no. 2594

Automatic, made from galvanised sheet steel, flaps made of aluminium. To prevent cold air backdraught when the fan is not in use. For vertical air flow bottom-up position.



##### Motorised backdraught shutter

**Type RVM 315** Ref. no. 2578

As RVS, but with spring reversing motor, mounted outside the air flow and for vertical air flow in any direction.



##### Universal control system

**Type EUR EC** Ref. no. 1347

For stepless control or adjustment of single and three phase EC-fans with an input control signal of 0–10 V DC.

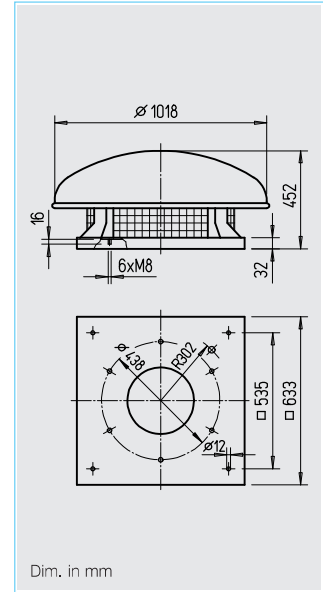


##### Speed-potentiometer

**Type PU/PA 10** see type table

For direct control or nominal value preset of EC-fans with potentiometer input.



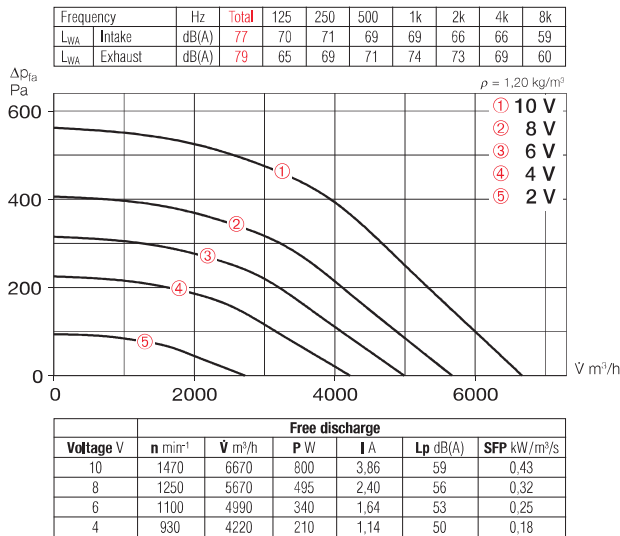


- Specification**  
 Centrifugal roof fan with horizontal discharge. Flat design with large overlaying rain cowl.
- Casing**  
 Base plate (with inlet cone) and other parts made of galvanised steel. Rain cowl and protection grille made of aluminium. Base plate with threaded bolt for connection of intake air accessories.
- Impeller**  
 High performance backward curved centrifugal impeller made of galvanised sheet steel, dynamically balanced with the motor unit.
- Motor**  
 Energy saving, speed controllable EC-external rotor motor with highest efficiency, protection to IP 44. With ball bearings, maintenance-free and interference-free.
- Motor protection**  
 Integrated electronic temperature monitoring for EC-motor and electronics.
- Electrical connection**  
 Terminal box (protection to IP 55) located beneath rain cowl as standard.
- Guard**  
 On the outlet as standard, compliant with DIN EN ISO 13857.
- Speed control**  
 Stepless speed control with potentiometer or stepless speed control with universal control system (see table). Duties at different speeds are specified in the performance curve.
- Delivery**  
 Fully assembled, ready to connect unit.
- Sound levels**  
 Total sound power levels and the spectrum figures in dB(A) are given for:
  - Sound power intake
  - Sound power exhaust
 In the table below as well as underneath the performance curve you can find additionally the sound pressure level at 4 m (free field conditions).

Type	Ref. no.	Connection Ø	R.P.M.	Air flow volume (FID)	Sound press. case breakout	Motor power	Current	Wiring diagram	max. air flow temperature	Weight net approx.	Universal control system		Speed-potentiometer surface			
											Type	Ref. no.	Type	Ref. no.	Type	Ref. no.
<b>Single phase motor, 230 V, 50/60 Hz, EC motor, IP 44</b>																
<b>RDW EC 400</b>	1634	400	1470	6670	59	1.05	4.60	994	40	45.0	<b>EUR EC</b> <sup>1)2)</sup>	1347	<b>PU 10</b> <sup>3)</sup>	1734	<b>PA 10</b> <sup>3)</sup>	1735

1) several EC fans can normally be connected 2) alternative electronic pressure/temperature controller (EDR/ETR, No. 1437/1438) in connection with the power supply NG24, No. 1439, see accessories 3) without LED power supply

### RDW EC 400



Accessory details	Page
Roof mounting accessories	485
Ventilation grilles	487 on
Extract elements	500 on
Intake elements	512 on
Fire protection elements	516 on
Universal control system, electronic controller, speed-potentiometer	539 on

### Accessories

#### Hinged base attenuator

**Type SSD 400** Ref. no. 5291

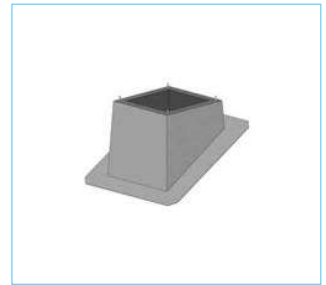
With folding mechanism for easy revision and cleaning. Average attenuation is 15 dB. For intake attenuation. All metal parts made of galvanised sheet steel.



#### Sloping roof base

**Type SDS** upon request

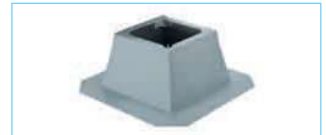
For profile and tiled roofs. Made from galvanised sheet steel, with sound and heat-insulated cladding on the inside. Roof pitch up to 45°.



#### Flat roof base

**Type FDS 400** Ref. no. 1380

With folding mechanism for easy inspection and cleaning.



#### Corrugated roof base

**Type WDS 400** Ref. no. 1562

For EC roof fans and roof cowls on corrugated roof, slope to 25° allowed. Made from corrosion resistant glass reinforced polyester (profile no. 5).



#### Counterflange

**Type FR 400** Ref. no. 1206

Made from galvanised sheet steel, for intake duct connection.



#### Flanged flexible connector

**Type STS 400** Ref. no. 1223

To reduce vibration transmission in intake air ducting. Flanges made of galvanised steel.



#### Backdraught shutter

**Type RVS 400** Ref. no. 2596

Automatic, made from galvanised sheet steel, flaps made of aluminium. To prevent cold air backdraught when the fan is not in use. For vertical air flow bottom-up position.



#### Motorised backdraught shutter

**Type RVM 400** Ref. no. 2580

As RVS, but with spring reversing motor, mounted outside the air flow and for vertical air flow in any direction.



#### Universal control system

**Type EUR EC** Ref. no. 1347

For stepless control or adjustment of single and three phase EC-fans with an input control signal of 0–10 V DC.



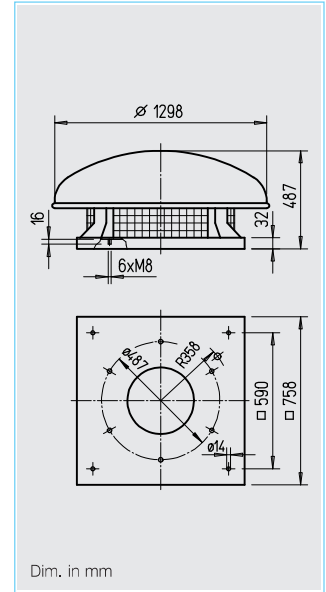
#### Speed-potentiometer

**Type PU/PA 10** see type table

For direct control or nominal value preset of EC-fans with potentiometer input.





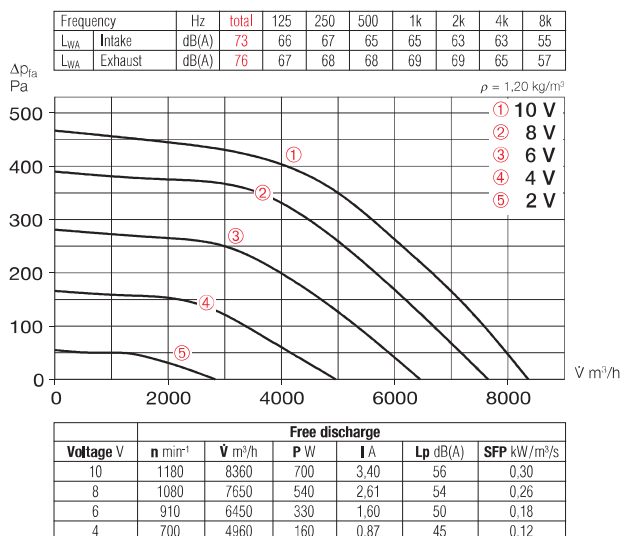


- Specification**  
 Centrifugal roof fan with horizontal discharge. Flat design with large overlaying rain cowl.
- Casing**  
 Base plate (with inlet cone) and other parts made of galvanised steel. Rain cowl and protection grille made of aluminium. Base plate with threaded bolt for connection of intake air accessories.
- Impeller**  
 High performance backward curved centrifugal impeller made of galvanised sheet steel, dynamically balanced with the motor unit.
- Motor**  
 Energy saving, speed controllable EC-external rotor motor with highest efficiency, protection to IP 44. With ball bearings, maintenance-free and interference-free.
- Motor protection**  
 Integrated electronic temperature monitoring for EC-motor and electronics.
- Electrical connection**  
 Terminal box (protection to IP 55) located beneath rain cowl as standard.
- Guard**  
 On the outlet as standard, compliant with DIN EN ISO 13857.
- Speed control**  
 Stepless speed control with potentiometer or stepless speed control with universal control system (see table). Duties at different speeds are specified in the performance curve.
- Delivery**  
 Fully assembled, ready to connect unit.
- Sound levels**  
 Total sound power levels and the spectrum figures in dB(A) are given for:
  - Sound power intake
  - Sound power exhaust
 In the table below as well as underneath the performance curve you can find additionally the sound pressure level at 4 m (free field conditions).

Type	Ref. no.	Connection Ø	R.P.M.	Air flow volume (FID)	Sound press. case breakout	Motor power	Current	Wiring diagram	max. air flow temperature	Weight net approx.	Universal control system		Speed-potentiometer surface			
											Type	Ref. no.	Type	Ref. no.	Type	Ref. no.
<b>Single phase motor, 230 V, 50/60 Hz, EC motor, IP 44</b>																
<b>RDW EC 450</b>	1636	450	1180	8360	56	1.02	4.50	994	40	75.0	<b>EUR EC</b> <sup>1) 2)</sup>	1347	<b>PU 10</b> <sup>3)</sup>	1734	<b>PA 10</b> <sup>3)</sup>	1735

1) several EC fans can normally be connected 2) alternative electronic pressure/temperature controller (EDR/ETR, No. 1437/1438) in connection with the power supply NG24, No. 1439, see accessories 3) without LED power supply

### RDW EC 450



#### Accessory details Page

Roof mounting accessories	485
Ventilation grilles	487 on
Extract elements	500 on
Intake elements	512 on
Fire protection elements	516 on
Universal control system, electronic controller, speed-potentiometer	539 on

#### Accessories

##### Hinged base attenuator

**Type SSD 450** Ref. no. 5288

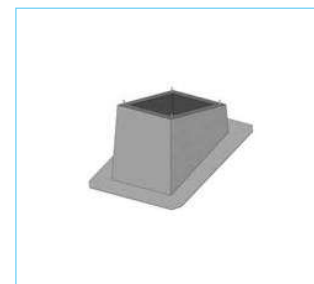
With folding mechanism for easy revision and cleaning. Average attenuation is 15 dB. For intake attenuation. All metal parts made of galvanised sheet steel.



##### Sloping roof base

**Type SDS** upon request

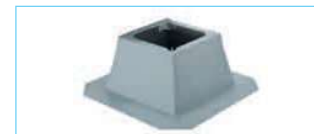
For profile and tiled roofs. Made from galvanised sheet steel, with sound and heat-insulated cladding on the inside. Roof pitch up to 45°.



##### Flat roof base

**Type FDS 450** Ref. no. 1381

With folding mechanism for easy inspection and cleaning.



##### Corrugated roof base

**Type WDS 450** Ref. no. 1563

For EC roof fans and roof cowls on corrugated roof, slope to 25° allowed. Made from corrosion resistant glass reinforced polyester (profile no. 5).



##### Counterflange

**Type FR 450** Ref. no. 1207

Made from galvanised sheet steel, for intake duct connection.



##### Flanged flexible connector

**Type STS 450** Ref. no. 1224

To reduce vibration transmission in intake air ducting. Flanges made of galvanised steel.



##### Backdraught shutter

**Type RVS 450** Ref. no. 2597

Automatic, made from galvanised sheet steel, flaps made of aluminium. To prevent cold air backdraught when the fan is not in use. For vertical air flow bottom-up position.



##### Motorised backdraught shutter

**Type RVM 450** Ref. no. 2581

As RVS, but with spring reversing motor, mounted outside the air flow and for vertical air flow in any direction.



##### Universal control system

**Type EUR EC** Ref. no. 1347

For stepless control or adjustment of single and three phase EC-fans with an input control signal of 0–10 V DC.



##### Speed-potentiometer

**Type PU/PA 10** see type table

For direct control or nominal value preset of EC-fans with potentiometer input.

