

■ HelioVent® units are suitable for the ventilation of small to medium-sized rooms in private, commercial and industrial buildings.

- The standard equipment with ball bearings guarantees
- Installation in any position.
- Smooth running and functional reliability in continuous operation.
- Quiet and maintenance-free operation over the entire service life.

■ Properties

- Ventilation grille can be removed without tools and easily cleaned in a water bath.
- Low installation depth prevents potential installation problems.
- Versatile installation in walls, ceilings or shafts in any position.
- Flow rate adjustment through continuously variable, electronic speed control.
- Motor protection through integrated thermal contacts.

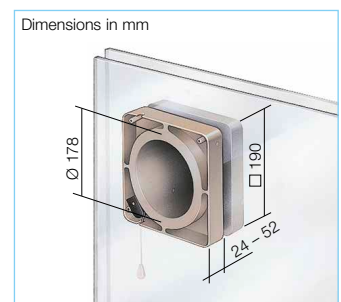
■ Description

The unit blends in harmoniously in all room environments. All parts, including the fan casing and impeller, made of high-quality plastic. Facade: white. Visual operation indicator through built-in indicator lights. High pressure and volume performance due to 8-bladed high performance impeller and an additional inlet guide wheel. Enclosed motor with low-noise ball bearings for continuous operation. Installation possible in any position. Maintenance-free and radio interference-free. Contact protection according to DIN EN ISO 13857. Electrical supply line can be surface or flush-mounted.

Accessory details	Page
Roof outlets and ventilation grilles	533 ff.
Intake air elements	558 ff.
Speed controllers, controllers, turn-off delay switches	571 ff.

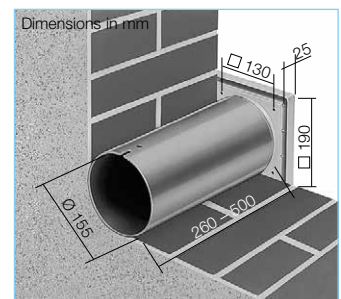
Window mounting kit

**Type FES 150** Ref. no. 00463  
For the installation of all models, preferably types with electrical inner shutter. Installation in single and double glazed windows, thin walls and panels. Protection category IP 20. External cover with flat rain-repellent grille with fixed blades. Operation via supplied drawcord or remote on-site switch.



Wall mounting kit

**Type WES 150** Ref. no. 00537  
For flush-mounted wall installation; consisting of: Two wall telescoping plastic ducts and the external wall connection. This can be installed as an automatic shutter or with a rain-repellent grille for HVR E models. Both elements are included in delivery.

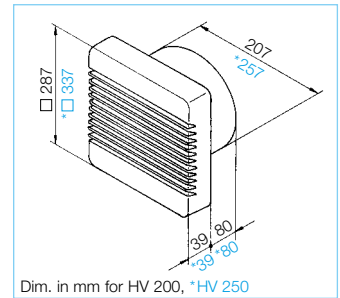


Telescopic wall sleeve

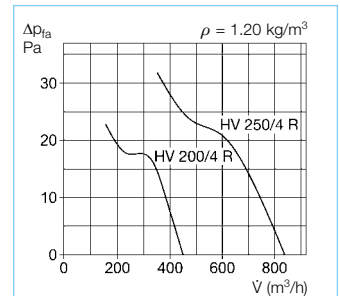
**Type TWH 150** Ref. no. 06354  
Like WES, but without shutter and grille.

Type	HVR 150/4 E	HVR 150/2 E	HVR 150/2 RE
Ref. no.	00283	00285	00286
Electrical inner shutter	Yes	Yes	Yes
Reversible (supply and extract ventilation)	—	—	<b>DSEL 2<sup>1)</sup></b> Ref. no. 01306
Flow rate free blowing m³/h	180	260	360
Impeller Ø mm	140	140	140
Speed min <sup>-1</sup> ca.	1300	1800	2600
Voltage / Frequency	230 V~ / 50 Hz	230 V~ / 50 Hz	230 V~ / 50 Hz
Power consumption W	30	35	50
Rated current A	0.20	0.15	0.25
Sound pressure level dB(A) at 1 m	46	58	64
Wiring diagram no.	283	283	284.1
Protection class II, protection category	IP 44	IP 44	IP 44
Max. air flow temperature	+40 °C	+40 °C	+40 °C
Weight approx. kg	1.2	1.4	1.5

<sup>1)</sup> NYM-O 3 x 1.5 mm<sup>2</sup> required for reverse operation.

**HV 200 and HV 250**


Dim. in mm for HV 200, \*HV 250



- **HelioVent® units blend unobtrusively in all room environments: In living rooms and dining rooms, offices and conference rooms, restaurants or foyers.**

Universally applicable. For supply and extract ventilation (reversible). Installation in walls or ceilings, even in an inclined position.

- **HelioVent® at a glance**  
Compact, low-noise fan unit with clever design features:
- HelioVent® fits in unobtrusively in all environments.
- No view of the contaminated fan openings.
- High performance and low air noise due to low flow resistances.
- Ideal for maintenance. Facade can be removed with one hand. Easy to clean in a water bath.

**Installation – connection**

Installation is very easy and completed in minutes. The electrical connection is convenient. Reliable plug-in terminals and large cable storage space simplify the process. The supply line can be flush-mounted or surface-mounted.

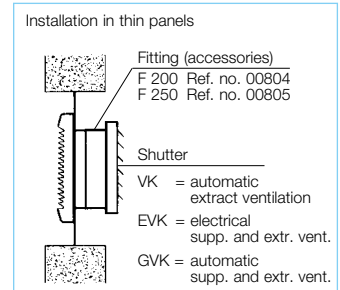
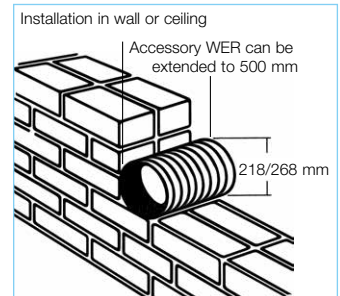
**Speed control**

Possible in the range from 0–100 % using voltage reduction via electronic or transformer control units.

**Description**

- Room-side facade and fan casing made from high-quality and impact-resistant plastic in alpine white.
- Powerful capacitor motor with high level of efficiency. Fully enclosed. Corrosion-proof in die-cast aluminium casing, protected against dust and water (protection category IP 54). Winding with humidity protection through bath impregnation in ISO class B.
- Protected against overloading by built-in thermal contact (automatically reactivating).
- Noise-tested ball bearings ensure quiet running.
- The large terminal box (protection category IP 55) and huge cable storage space facilitate connection work.
- Profiled high-performance impeller with high efficiency ensures low-noise operation.
- Radio interference-free and maintenance-free.
- Contact protection according to DIN EN ISO 13857 guaranteed by room-side facade.
- Service and connection-friendly.

Accessory details	Page
Roof outlets and ventilation grilles	533 ff.
Intake air elements	558 ff.
Speed controllers, controllers, turn-off delay switches	571 ff.



Type	HV 200/4 R	HV 250/4 R
Ref. no.	00957	00958
Reversible (supply and extract ventilation)	Yes	Yes
Flow rate free blowing m³/h	450	840
Impeller Ø mm	200	250
Speed min⁻¹	1360	1380
Voltage / Frequency	230 V~ / 50 Hz	230 V~ / 50 Hz
Power consumption W	30	40
Rated current A	0.13	0.20
Sound pressure level dB(A) at 15 Pa at 1 m distance (free field conditions)	52	55
Sound power dB(A)	60	63
Wiring diagram no.	439	439
Protection category	IP 54	IP 54
Max. air flow temperature	+40 °C	+40 °C
Weight approx. kg	2.1	2.6

Accessories	Fan type	HV 200	HV 250
Feed duct for flush-mounted wall installation	<b>Type</b> Ref. no.	<b>WER 200</b> 00368	<b>WER 250/225</b> 00369
Shutter for extract air operation	<b>Type</b> Ref. no.	<b>VK 200</b> 00758	<b>VK 250</b> 00759
Shutter for supply and extract ventilation	<b>Type</b> Ref. no.	<b>GVK 200</b> 00370	<b>GVK 250</b> 00371
Reversing switch for supply and extract ventilation	<b>Type</b> Ref. no.	<b>DSEL 2<sup>1)</sup></b> 01306	<b>DSEL 2<sup>1)</sup></b> 01306
Reversing switch with speed controller continuously variable	<b>Type</b> Ref. no.	<b>BSX</b> 00240	<b>BSX</b> 00240
Speed controller flush-mounted	<b>Type</b> Ref. no.	<b>ESU 1</b> 00236	<b>ESU 1</b> 00236
Speed controller surface-mounted	<b>Type</b> Ref. no.	<b>ESA 1</b> 00238	<b>ESA 1</b> 00238

<sup>1)</sup> NYM-J 4 x 1.5 mm² required for reverse operation.