



# ITEC

High Efficiency EC  
Twin Fan for convenient  
fitting and full control

Casing constructed from 1.6mm Galvanised sheet steel

Circular spigot connection

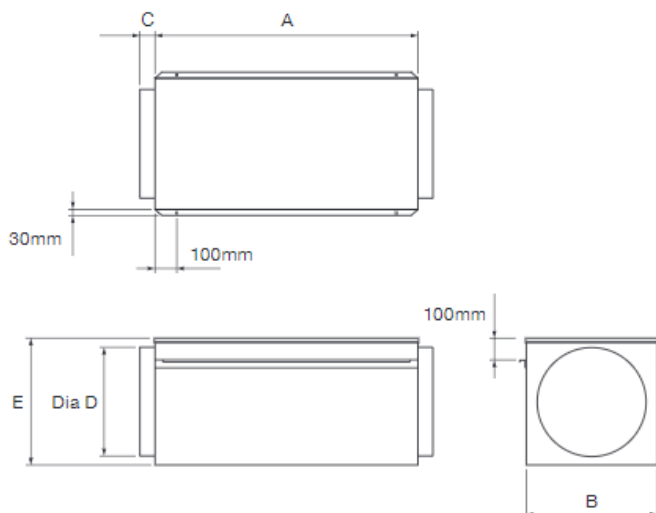
Inline for ease of fitting into duct system

Single removable lid for mounting with top or bottom access

Two fans with EC Plug Arrangement

High Efficiency impellers in a series style





Unit Dimensions					
Unit Code	A	B	C	Diameter D	E
ITEC 125	600	300	50	125	280
ITEC 150	600	300	50	150	280
ITEC 200	750	350	50	200	325
ITEC 250	750	350	50	250	325
ITEC 315	1000	500	70	315	450
ITEC 355	1000	500	70	355	450
ITEC 400	1200	550	70	400	500
ITEC 450	1200	550	70	450	500
ITEC 500	1200	600	70	500	580

### FEATURES

- Run and 100% stand-by
- Robust corrosion resistant casing in galvanised steel
- Access panel offers either top or bottom access on duct mounted units
- Standard change over panels including duty sharing option
- Simple wiring from a common terminal box and change over panel
- Acoustically lined for quiet operation and reduced breakout
- Speed controllable using the Helios ACSW EC change over panel and PA10 potentiometer speed controller
- Standard side mounting rails for easy fitting

### SPECIFICATION

- Fans  
All units are fitted with single inlet independent backward curve centrifugal fans, powered by direct driven motors
- Terminal Box  
IP 55 terminal box fitted to casing providing connection to both fans
- Speed controls  
with 0-10V input from PA10 or ACSEC
- Change Over Panels  
Standard change over panels with manual and timed duty sharing and fan failure indicator Building Management System (B.M.S.) interface 5 speed setup from ACSEC
- Noise Levels  
Sound levels in db(A). Spectrum and totals shown opposite

### IN LINE DUCT FANS ITEC

- Casings  
Standard units of galvanised sheet steel with access panel and spigot connections. Fixing holes provided in the casing
- Access  
Standard access from above or below
- Acoustic Lining  
Factory fitted acoustic lining. Lining fire retardant, class "O" 25mm material
- Spigots  
Twin fans are fitted with circular inlet and outlet spigots as standard
- Information Ducting System

All Helios components fit standard nominal duct diameters. The ducting used may be rigid or flexible and made from aluminium, galvanised steel or plastic

TYPE	Ref. No.	RPM	AIRFLOW PID	MOTOR POWER	VOLTAGE	CURRENT FLC	MAX WEIGHT	AUTO CHANGEOVER	Ref. No.2	SPEED CONTROLLER	Ref. No.3
ITEC 125	S1520	3990	555	140	230	1.11	15	ACSWEC	S1499	PA10	1735
ITEC 150	S1522	3990	605	140	230	1.13	15	ACSWEC	S1499	PA10	1735
ITEC 200	S1524	2780	1080	155	230	1.2	20	ACSWEC	S1499	PA10	1735
ITEC 250	S1526	2780	1200	155	230	1.25	20	ACSWEC	S1499	PA10	1735
ITEC 315	S1528	2850	2400	480	230	2.8	44	ACSWEC	S1499	PA10	1735
ITEC 355	S1530	2480	2625	500	230	2.6	46	ACSWEC	S1499	PA10	1735
ITEC 400	S1532	2850	3050	480	230	3	54	ACSWEC	S1499	PA10	1735
ITEC 450	S1534	2850	3200	480	230	3.2	58	ACSWEC	S1499	PA10	1735
ITEC 500	S1536	2400	4000	1000	230	6.2	65	ACSWEC	S1499	PA10	1735

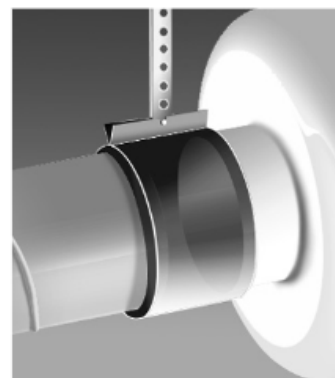
ITEC SOUND DATA								
unit size	Discharge Sound Pressure dBA at Full Speed							dBA overall
	125	250	500	1k	2k	4k	8k	
125	59	67	64	60	55	50	49	70
150	59	67	65	61	55	50	49	70
200	60	68	66	62	56	51	50	71
250	60	68	67	63	57	51	50	72
315	56	69	71	64	57	53	58	74
355	57	69	72	65	58	53	58	74
400	59	74	75	68	61	56	62	78
450	60	75	76	69	62	57	62	79
500	57	75	77	70	60	57	63	80
unit size	Intake Sound Pressure dBA at Full Speed							dBA overall
	125	250	500	1k	2k	4k	8k	
125	58	66	64	60	54	49	48	69
150	58	66	65	61	55	50	48	70
200	59	67	66	62	55	56	49	71
250	59	67	67	63	56	50	49	71
315	51	66	70	64	55	51	54	72
355	53	67	71	65	56	51	55	73
400	55	71	74	67	59	54	58	76
450	60	75	76	69	62	57	62	79
500	57	75	77	70	60	57	63	80
unit size	Breakout Sound Pressure dBA at Full Speed							dBA overall
	125	250	500	1k	2k	4k	8k	
125	46	48	42	36	30	22	17	51
150	46	48	43	37	330	22	17	51
200	47	49	44	37	31	23	18	52
250	47	49	45	38	32	23	18	52
315	43	49	49	39	32	24	25	53
355	44	49	50	41	33	25	25	53
400	46	54	53	43	36	28	29	57
450	47	55	54	44	36	29	30	58
500	44	55	55	45	35	29	31	59

### ACCESSORIES

- Pipe Clamp Connectors

BM125	Ref No 5076
BM150	Ref No 6164
BM200	Ref No 5078
BM250	Ref No 5079
BM315	Ref No 5080

A quick-fix method for connecting fans to ducting, reducing vibration transmission. When installing leave a small gap between fan spigot and ducting  
Supplied in pairs



- Spigotted Attenuators

SRSD 125/600	Ref No S8906
SRSD 150/600	Ref No S8910
SRSD 160/600	Ref No S8914
SRSD 200/600	Ref No S8918
SRSD 250/600	Ref No S8922
SRSD 315/600	Ref No S8926
SRSD 355/600	Ref No S8928
SRSD 400/600	Ref No S8930

Spigotted attenuator with 50mm insulation  
Fits nominal size ducting or to be fixed with pipe clamp connectors



- Automated changeover panel

ACSWEC	Ref No S1499
--------	--------------

For automatic changeover of twin fans, using current sensing. Duty sharing (8 selections from 3 to 24 hours), manual selection, variable overloads, alarm out-put for BMS. Built in trickle and boost with adjustable speeds for commissioning.

Protection	IP 40
Current	Max. 8 amps
Dim. mm	W 190 X H 240 X D 70



- Electronic Speed Controller

PA10	Ref No 1735
------	-------------

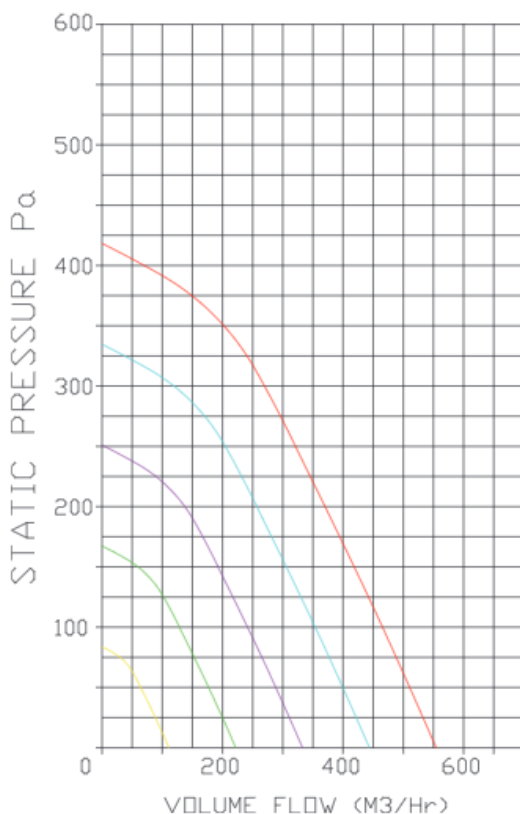
For direct control or nominal value preset of EC fans with POTENTIOMETER INPUT. Additionally equipped with an enabling switch and LED display for the operating status (dependent on feature of fan type)

Casing: Surface mounted installation; polymer; light grey projections

Dim. mm	W80 x D21
---------	-----------

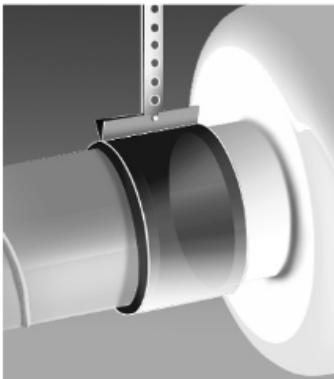


### 125ITEC





### ACCESSORIES



- Pipe Clamp Connectors
 

BM125	Ref No 5076
BM150	Ref No 6164
BM200	Ref No 5078
BM250	Ref No 5079
BM315	Ref No 5080

A quick-fix method for connecting fans to ducting, reducing vibration transmission. When installing leave a small gap between fan spigot and ducting  
 Supplied in pairs



- Spigotted Attenuators
 

SRS125/600	Ref No S8906
SRS150/600	Ref No S8910
SRS160/600	Ref No S8914
SRS200/600	Ref No S8918
SRS250/600	Ref No S8922
SRS315/600	Ref No S8926
SRS355/600	Ref No S8928
SRS400/600	Ref No S8930

Spigotted attenuator with 50mm insulation  
 Fits nominal size ducting or to be fixed with pipe clamp connectors

- Automated changeover panel  
 ACSWEC Ref No S1499



For automatic changeover of twin fans, using current sensing. Duty sharing (8 selections from 3 to 24 hours), manual selection, variable overloads, alarm out-put for BMS. Built in trickle and boost with adjustable speeds for commissioning.

- |            |                      |
|------------|----------------------|
| Protection | IP 40                |
| Current    | Max. 8 amps          |
| Dim. m     | W 190 X H 240 X D 70 |

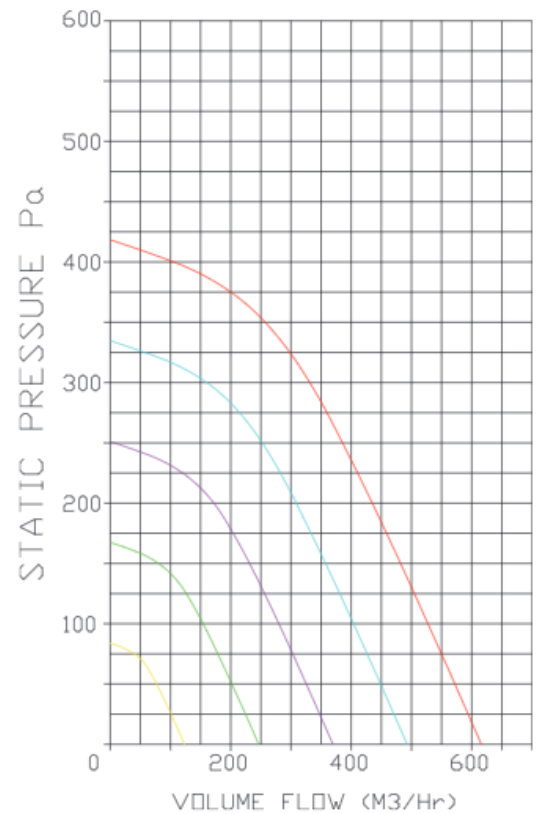
- Electronic Speed Controller  
 PA10 Ref No 1735

For direct control or nominal value preset of EC fans with POTENTIOMETER INPUT. Additionally equipped with an enabling switch and LED display for the operating status (dependent on feature of fan type)

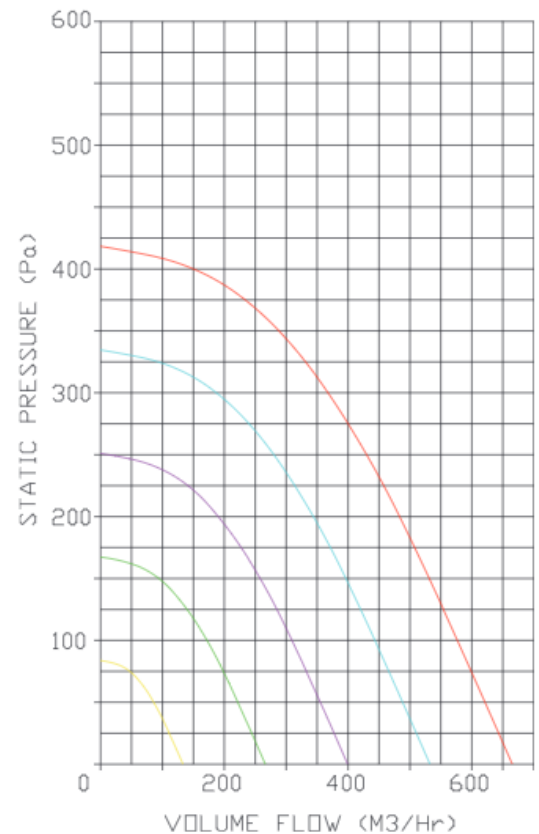
- |         |   |
|---------|---|
| Casing: | Surface mounted installation; polymer; light grey projections |
| Dim. mm | W80 x D21   |



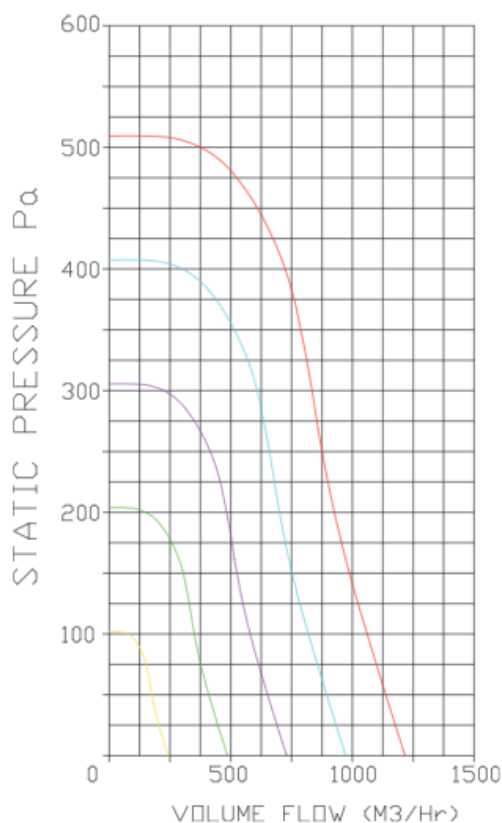
### 150ITEC



### 200ITEC



## 250ITEC

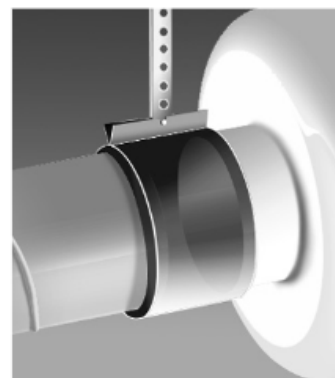


## ACCESSORIES

### • Pipe Clamp Connectors

BM125	Ref No 5076
BM150	Ref No 6164
BM200	Ref No 5078
BM250	Ref No 5079
BM315	Ref No 5080

A quick-fix method for connecting fans to ducting, reducing vibration transmission. When installing leave a small gap between fan spigot and ducting. Supplied in pairs.



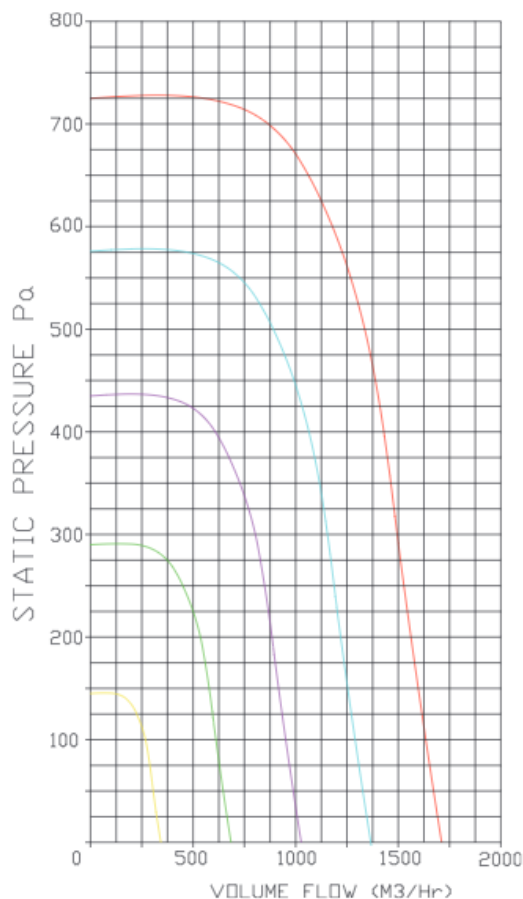
### • Spigotted Attenuators

SRSD 125/600	Ref No S8906
SRSD 150/600	Ref No S8910
SRSD 160/600	Ref No S8914
SRSD 200/600	Ref No S8918
SRSD 250/600	Ref No S8922
SRSD 315/600	Ref No S8926
SRSD 355/600	Ref No S8928
SRSD 400/600	Ref No S8930

Spigotted attenuator with 50mm insulation. Fits nominal size ducting or to be fixed with pipe clamp connectors.



## 315ITEC



### • Automated changeover panel

ACSWEC	Ref No S1499
--------	--------------

For automatic changeover of twin fans, using current sensing. Duty sharing (8 selections from 3 to 24 hours), manual selection, variable overloads, alarm out-put for BMS. Built in trickle and boost with adjustable speeds for commissioning.

Protection	IP 40
Current	Max. 8 amps
Dim. m	W 190 X H 240 X D 70



### • Electronic Speed Controller

PA10	Ref No 1735
------	-------------

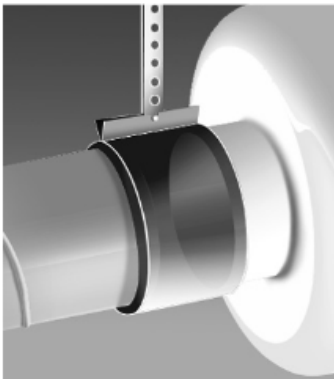
For direct control or nominal value preset of EC fans with POTENTIOMETER INPUT. Additionally equipped with an enabling switch and LED display for the operating status (dependent on feature of fan type)

Casing: Surface mounted installation; polymer; light grey projections

Dim. mm	W80 x D21
---------	-----------



### ACCESSORIES



- Pipe Clamp Connectors
 

BM125	Ref No 5076
BM150	Ref No 6164
BM200	Ref No 5078
BM250	Ref No 5079
BM315	Ref No 5080

A quick-fix method for connecting fans to ducting, reducing vibration transmission. When installing leave a small gap between fan spigot and ducting  
 Supplied in pairs



- Spigotted Attenuators
 

SRSD 125/600	Ref No S8906
SRSD 150/600	Ref No S8910
SRSD 160/600	Ref No S8914
SRSD 200/600	Ref No S8918
SRSD 250/600	Ref No S8922
SRSD 315/600	Ref No S8926
SRSD 355/600	Ref No S8928
SRSD 400/600	Ref No S8930

Spigotted attenuator with 50mm insulation  
 Fits nominal size ducting or to be fixed with pipe clamp connectors

- Automated changeover panel  
 ACSWEC Ref No S1499



For automatic changeover of twin fans, using current sensing. Duty sharing (8 selections from 3 to 24 hours), manual selection, variable overloads, alarm out-put for BMS. Built in trickle and boost with adjustable speeds for commissioning.

Protection	IP 40
Current	Max. 8 amps
Dim. m	W 190 X H 240 X D 70

- Electronic Speed Controller  
 PA10 Ref No 1735

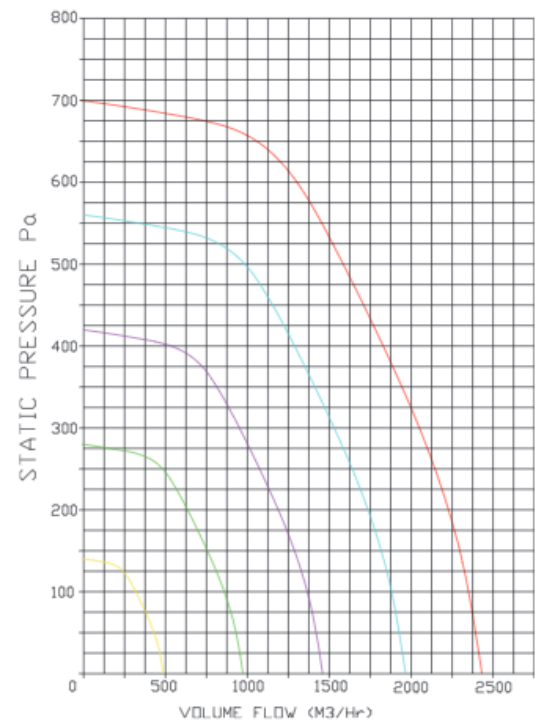
For direct control or nominal value preset of EC fans with POTENTIOMETER INPUT. Additionally equipped with an enabling switch and LED display for the operating status (dependent on feature of fan type)

Casing: Surface mounted installation; polymer; light grey projections

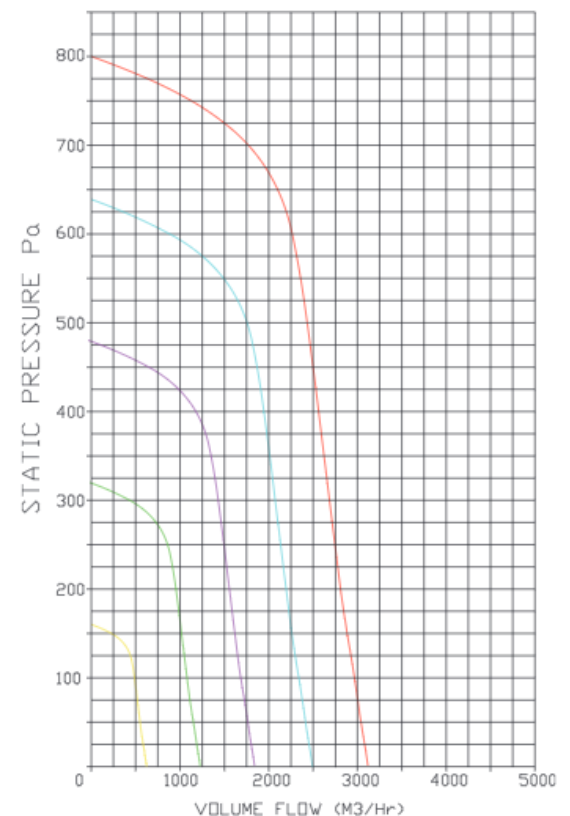
Dim. mm	W80 x D21
---------	-----------



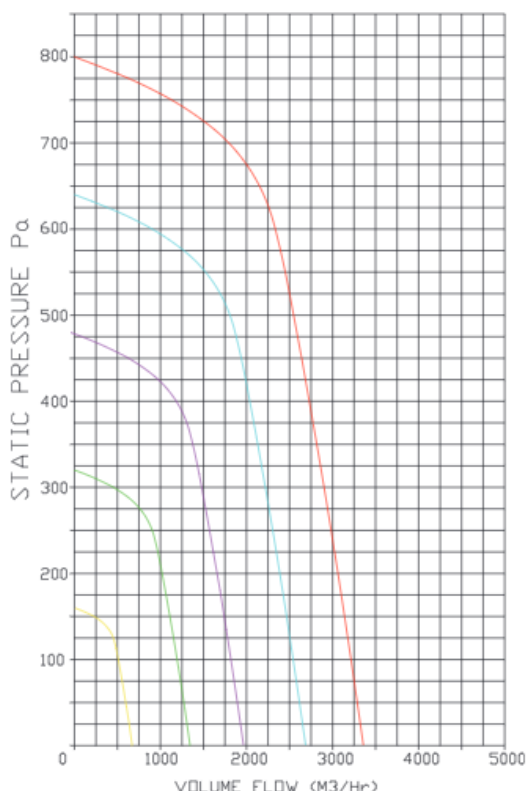
### 355ITEC



### 400ITEC



## 450ITEC

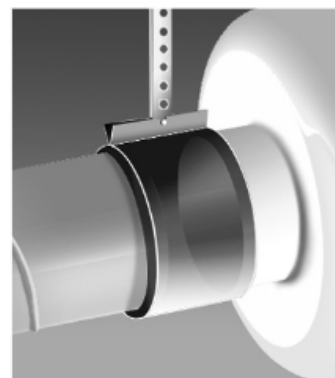


### ACCESSORIES

- Pipe Clamp Connectors
 

BM125	Ref No 5076
BM150	Ref No 6164
BM200	Ref No 5078
BM250	Ref No 5079
BM315	Ref No 5080

A quick-fix method for connecting fans to ducting, reducing vibration transmission. When installing leave a small gap between fan spigot and ducting  
 Supplied in pairs



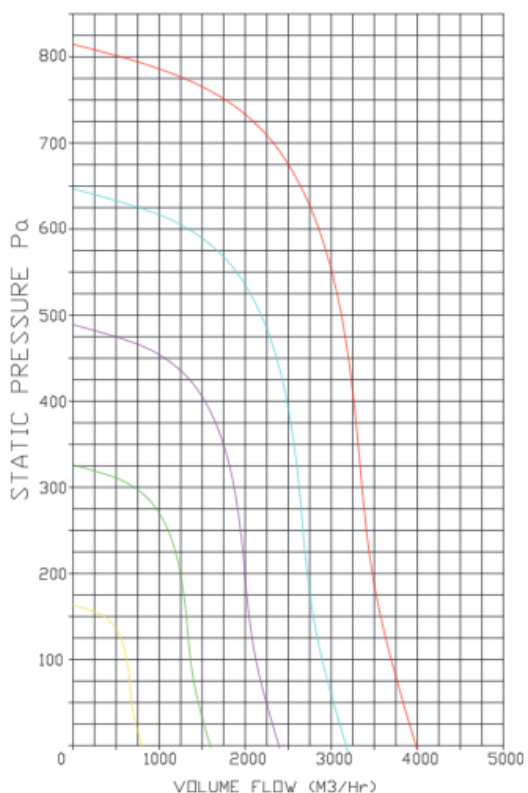
- Spigotted Attenuators
 

SRSD 125/600	Ref No S8906
SRSD 150/600	Ref No S8910
SRSD 160/600	Ref No S8914
SRSD 200/600	Ref No S8918
SRSD 250/600	Ref No S8922
SRSD 315/600	Ref No S8926
SRSD 355/600	Ref No S8928
SRSD 400/600	Ref No S8930

Spigotted attenuator with 50mm insulation  
 Fits nominal size ducting or to be fixed with pipe clamp connectors



## 500ITEC



- Automated changeover panel  
 ACSWEC Ref No S1499

For automatic changeover of twin fans, using current sensing. Duty sharing (8 selections from 3 to 24 hours), manual selection, variable overloads, alarm out-put for BMS. Built in trickle and boost with adjustable speeds for commissioning.

Protection	IP 40
Current	Max. 8 amps
Dim. m	W 190 X H 240 X D 70



- Electronic Speed Controller  
 PA10 Ref No 1735

For direct control or nominal value preset of EC fans with POTENTIOMETER INPUT. Additionally equipped with an enabling switch and LED display for the operating status (dependent on feature of fan type)

Casing: Surface mounted installation; polymer; light grey projections

Dim. mm	W80 x D21
---------	-----------





The professionals choice

**Helios Ventilation Systems Ltd.** • 5 Crown Gate • Wyncolls Road • Severalls Industrial Park • Colchester, Essex CO4 9HZ  
phone: +44 - (0)1206 228 500 • telefax: +44 - (0)1206 228 501 • e-mail: sales@heliosfans.co.uk • www.heliosfans.co.uk

---

KWL® is a registered trademark of Helios Ventilatoren. Copyright ©: Helios Ventilatoren, 78056 Villingen-Schwenningen, Germany.  
Certified according to ISO 9001/2000. We reserve the rights for alterations without prior notice. Document no. 90 718 / 01.11